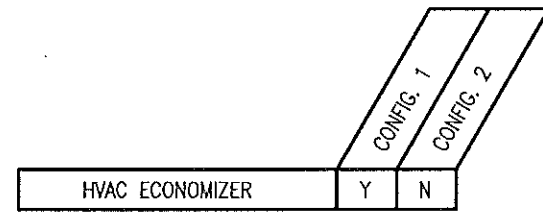


BUILDING CONFIGURATIONS



CONFIGURATION KEY

Y = YES
N = NO

CONFIG. 1 SHEET NO.	
0-0	7-1
1-0	7-2
1-1	7-3
1-2	7-4
1-3	8
1-4	9-1
2-1	9-2
2-2	S1
2-3	S2
3-1	S3
3-2	S4
3-3	S5
3-4	S6
4	S7
5	
6	ELEC-0055
	MECH-0005

CONFIG. 2 SHEET NO.	
0-0	7-1.1
1-0	7-2
1-1.1	7-3
1-2.1	7-4
1-3.1	8
1-4.1	9-1
2-1.1	9-2
2-2	S1
2-3	S2
3-1	S3
3-2	S4
3-3	S5
3-4	S6
4	S7
5.1	
6.1	ELEC-0055
	MECH-0005

BUILDING NUMBERS			
CONFIG. 1		CONFIG. 2	
BLDG NO.	REV.	BLDG NO.	REV.
39710	0		

* REVISION LEVEL BASED ON MANUFACTURED BUILDING DATA SHEET

FC-64

	THESE PLANS ARE THE CONFIDENTIAL PROPERTY AND TRADE SECRETS OF FIBREBOND CORPORATION. ANY USE OF THESE DRAWINGS OR THE INFORMATION CONTAINED HEREIN FOR ANY REASON OTHER THAN AS EXPRESSLY AUTHORIZED BY FIBREBOND CORPORATION IS STRICTLY PROHIBITED. THESE DRAWINGS HAVE BEEN DISTRIBUTED WITH THE UNDERSTANDING THAT ANYONE RECEIVING OR OTHERWISE OBTAINING POSSESSION OF THEM WILL BE EXPRESSLY NOTIFIED OF THEIR CONFIDENTIAL NATURE.	1300 DAVENPORT DRIVE MINDEN, LA. 71055 ph. (800) 824-2614 www.fibrebond.com GOGO LLC 11'-5" X 14'-0" EQUIPMENT SHELTER BUILDING CONFIGURATION SHEET
BY: DATE BLDG. & PROJ. NO. ADDED-TO / REMOVED-FROM SET APP. DATE APP. DATE REV. BY DATE REVISION APP. DATE BOM DATE	DRN: CSP DATE: 8/19/13 APP. BY: DATE: CHECK: DATE:	SCALE: NONE SHEET NO.: 0-0 DWG NO.: D-9406

BUILDING CODE SCHEDULE

DESIGN CRITERIA: Non Fire-rated 1 Hour Fire-rated 2 Hour Fire-rated

MODEL CODE	EDITION	CONST. TYPE	OCCUPANCY/USE GROUP
Colorado			
International Building Code	2012	VB	S-2
International Mechanical Code	2012	-	-
International Plumbing Code	2012	-	-
National Electrical Code	2011	-	-
International Fuel Gas Code	2012	-	-
International Energy Conservation Code	2012	-	-

Roof Live Load (RLL) = 105 psf
 Floor Live Load (FL) = 150 psf
 Basic Wind Speed (3-second Gust) (V) = 150 mph Wind Exposure = (C)
 Wind Importance Factor (Iw) = 1.15
 Building Category = III
 Seismic Site Class = D
 Seismic Importance Factor (Ie) = 1.25
 Spectral Response Coefficients (Ss)/(S1) = 1.00/ 0.60
 Seismic Design Category = D
 Basic Seismic-Force-Resisting System → INTERMEDIATE PRECAST SHEAR WALLS
 Ground Snow Load (Pg) = 80 psf
 Snow Importance Factor (Is) = 1.1
 Snow Exposure Factor (Ce) = 1.1
 Thermal Factor (Cl) = 1.2
 Flat Roof Snow Load (Pf) = 81 psf

INDEX OF SHEETS

SHEET NO.	REV.	SHEET DESCRIPTION
0-0	0	BUILDING CONFIGURATION SHEET
1-0	0	MANUFACTURED BUILDING DATA SHEET
* 1-1	0	FLOOR PLAN
* 1-1.1	0	FLOOR PLAN
* 1-2	0	EXTERIOR ELEVATIONS -- "A"
* 1-2.1	0	EXTERIOR ELEVATIONS -- "A"
* 1-3	0	EXTERIOR ELEVATIONS -- "C"
* 1-3.1	0	EXTERIOR ELEVATIONS -- "C"
* 1-4	0	EXTERIOR ELEVATIONS -- "B" & "D"
* 1-4.1	0	EXTERIOR ELEVATIONS -- "B" & "D"
2-1	0	INTERIOR CEILING VIEW
2-1.1	0	INTERIOR CEILING VIEW
2-2	0	INTERIOR ELEVATIONS -- "A" & "B"
2-3	0	INTERIOR ELEVATIONS -- "C" & "D"
3-1	0	ELECTRICAL SCHEMATIC #1
* 3-2	0	ELECTRICAL SCHEMATIC #2
3-3	0	QUEST WIRING DIAGRAMS #1
3-4	0	QUEST WIRING DIAGRAMS #2
4	0	ALARM WIRING
5	0	ITEM LIST
5.1	0	ITEM LIST
6	0	CABLE RACK -- CEILING VIEW
6.1	0	CABLE RACK -- CEILING VIEW
7-1	0	HALO GROUND -- CEILING VIEW
7-1.1	0	HALO GROUND -- CEILING VIEW
7-2	0	HALO GROUND ELEVATIONS -- "A" & "B"
7-3	0	HALO GROUND ELEVATIONS -- "C" & "D"
7-4	0	HALO GROUND DETAILS
* 8	0	FOUNDATION PLAN
9-1	0	MISC. INTERIOR DETAILS
* 9-2	0	LIFTING, STORAGE AND TRANSPORTATION DIAGRAM
S1	0	STRUCTURAL LAYOUT -- ROOF
S2	0	STRUCTURAL LAYOUT -- FLOOR
S3	0	STRUCTURAL LAYOUT -- SIDE PANEL "A"
S4	0	STRUCTURAL LAYOUT -- END PANEL "B"
S5	0	STRUCTURAL LAYOUT -- SIDE PANEL "C"
S6	0	STRUCTURAL LAYOUT -- END PANEL "D"
S7	0	MISC. DETAILS

*= DENOTES DRAWINGS WHICH HAVE WORK TO BE COMPLETED IN THE FIELD.

GENERAL DESIGN NOTES

1. This is an unmanned storage and equipment shelter only.	7. Building shall be placed on a foundation supplied by others.
2. Shelter f'c = 5000psi @ 28 days.	8. Building not designed for installation in a flood prone area.
3. Building shall be placed according to state and local code from any property line, interior lot line or any other building.	9. Fire extinguisher installed by others when not supplied by Fibrebond.
4. All items noted as "FIELDWORK" shall be installed and tested at the factory then removed for transport and reinstalled at the final site.	10. Electrical components shown per customer's design requirements.
5. Model may be built as "mirror image".	11. This building does not contain plumbing facilities. Plumbing facilities shall be provided on site subject to the local authority having jurisdiction.
6. Door swing and waveguide location may change due to site requirements.	

Concrete Thickness (inches)	Non-Rated	1 Hour	2 Hour
	2"	2.5"	4"

--All values for Lightweight Concrete
 --Table 719.1(2) - 4-1.1 (IBC 2000)
 --Table 720.1(2) - 4-1.1 (IBC 2003, 2006, 2009)
 --Refer to Table 705.8 (IBC 2009) & 704.8 (IBC 2006, 2003, 2000) for Required Fire Separation Distance

FOR STATE USE ONLY

FOR ARCHITECT USE ONLY

FOR ENGINEER USE ONLY

FOR THIRD PARTY USE ONLY

STRUCTURAL DESIGN BY
 RALEY AND ASSOCIATES, INC.
 4913 SHED ROAD
 BOSSIER CITY, LA 71111

NOTE
 THIS BUILDING MUST MEET OR EXCEED THE MINIMUM DESIGN LOADS ESTABLISHED BY THE LOCAL JURISDICTION AT THE INSTALLATION SITE.

NTA, Inc.
 305 N. Oakland Avenue
 Nappanee, Indiana 46550
 574-773-1628

THIRD PARTY AGENCIES

Concrete Unit Weight=115pcf

FC-64 Rev. 05-08-13

REFERENCED STANDARD DRAWINGS

DRAWING NO.	SHEET NO.	REV.	SHEET DESCRIPTION
ELEC-0055	1 OF 1	0	QUEST ESB LEAD/LAG CONTROLLER, BARD STANDARD HVAC
MECH-0005	1 OF 1	4	STANDARD CABLE RACK MOUNTING DETAILS

SPECIAL CONDITIONS/LIMITATIONS

SEE SHEETS FOR FIELDWORK.

SEE GENERAL DESIGN NOTES 1, 3, 4, 7, 8, 9, 10 & 11.

REV.	BY	DATE	REVISION	APP.	DATE	BOM	DATE

THESE PLANS ARE THE CONFIDENTIAL PROPERTY AND TRADE SECRETS OF FIBREBOND CORPORATION. ANY USE OF THESE DRAWINGS OR THE INFORMATION CONTAINED HEREIN FOR ANY REASON OTHER THAN AS EXPRESSLY AUTHORIZED BY FIBREBOND CORPORATION IS STRICTLY PROHIBITED. THESE DRAWINGS HAVE BEEN DISTRIBUTED WITH THE UNDERSTANDING THAT ANYONE RECEIVING OR OTHERWISE OBTAINING POSSESSION OF THEM WILL BE EXPRESSLY NOTIFIED OF THEIR CONFIDENTIAL NATURE.

1300 DAVENPORT DRIVE MINDEN, LA. 71055
 ph. (800) 824-2614 www.fibrebond.com

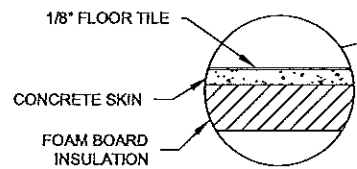
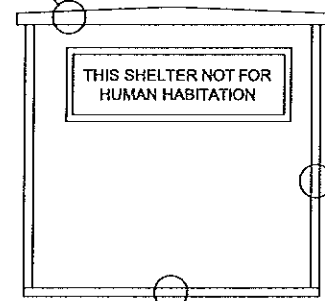
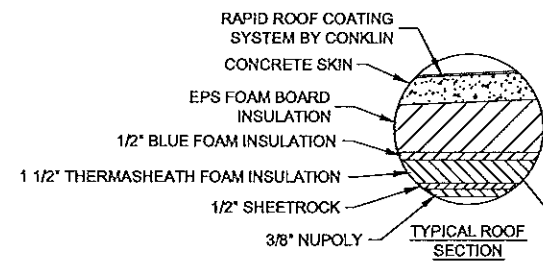
GOGO LLC

11'-5" X 14'-0" EQUIPMENT SHELTER
 MANUFACTURED BUILDING
 DATA SHEET

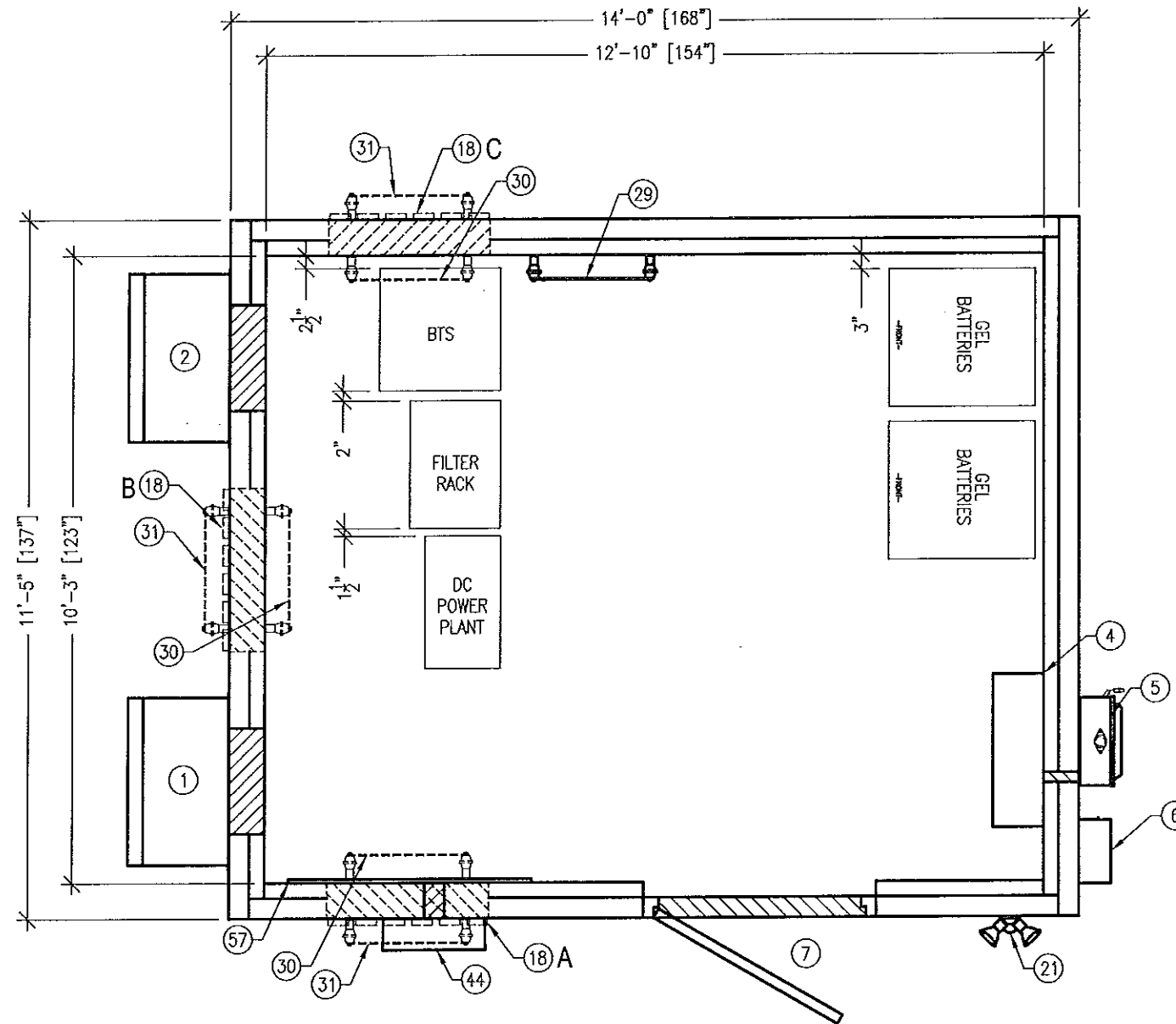
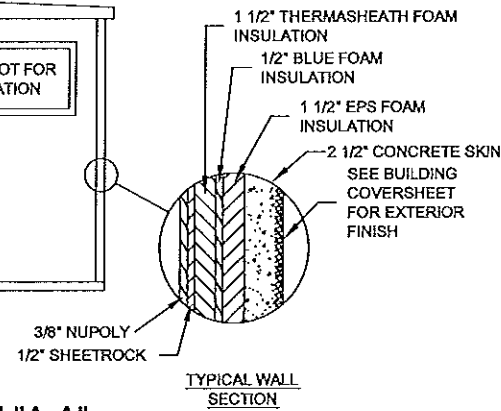


DRN. BY: CSP	DATE: 4/20/12	APP. BY: PB	DATE: 4/20/12
CHEK. BY:	DATE:	APP. BY:	DATE:

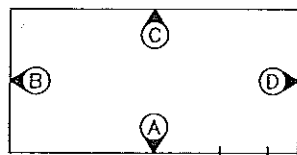
SCALE: NONE	SHEET NO.: 1-0_CO
DWG NO.: B	D-8953



SECTION "A-A"
SCALE: N.T.S.



FLOOR PLAN
159.8 sq ft



ELEVATION KEY

NOTES:

1. ALL ITEMS MARKED **FIELDWORK** SHALL BE INSTALLED, TESTED, REMOVED & PACKED IN BUILDING PRIOR TO SHIPMENT.
2. ITEMS 18, 30, & 31 ARE SHOWN IN OPTIONAL LOCATIONS. SEE BUILDING COVERSHEET FOR SELECTED LOCATIONS.
3. ADHERE A RED LABEL TO THIS 2" LB STATING "COMMERCIAL POWER".

REV.	BY	DATE	REVISION	APP.	DATE	BON	DATE

THESE PLANS ARE THE CONFIDENTIAL PROPERTY AND TRADE SECRETS OF FIBREBOND CORPORATION. ANY USE OF THESE DRAWINGS OR THE INFORMATION CONTAINED HEREIN FOR ANY REASON OTHER THAN AS EXPRESSLY AUTHORIZED BY FIBREBOND CORPORATION IS STRICTLY PROHIBITED. THESE DRAWINGS HAVE BEEN DISTRIBUTED WITH THE UNDERSTANDING THAT ANYONE RECEIVING OR OTHERWISE OBTAINING POSSESSION OF THEM WILL BE EXPRESSLY NOTIFIED OF THEIR CONFIDENTIAL NATURE.

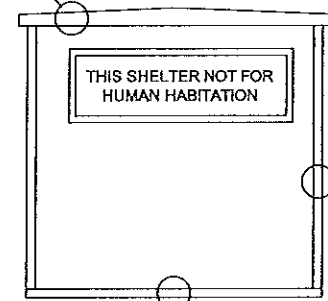
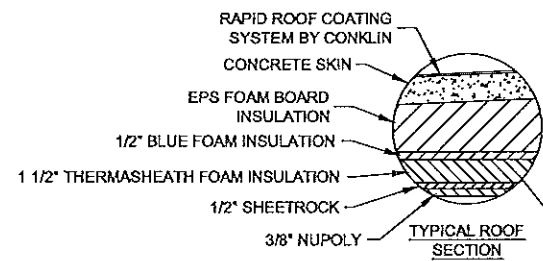
1300 DAVENPORT DRIVE MINDEN, LA. 71055
ph. (800) 824-2614 www.fibrebond.com

GOGO LLC
11'-5" X 14'-0" EQUIPMENT SHELTER
FLOOR PLAN

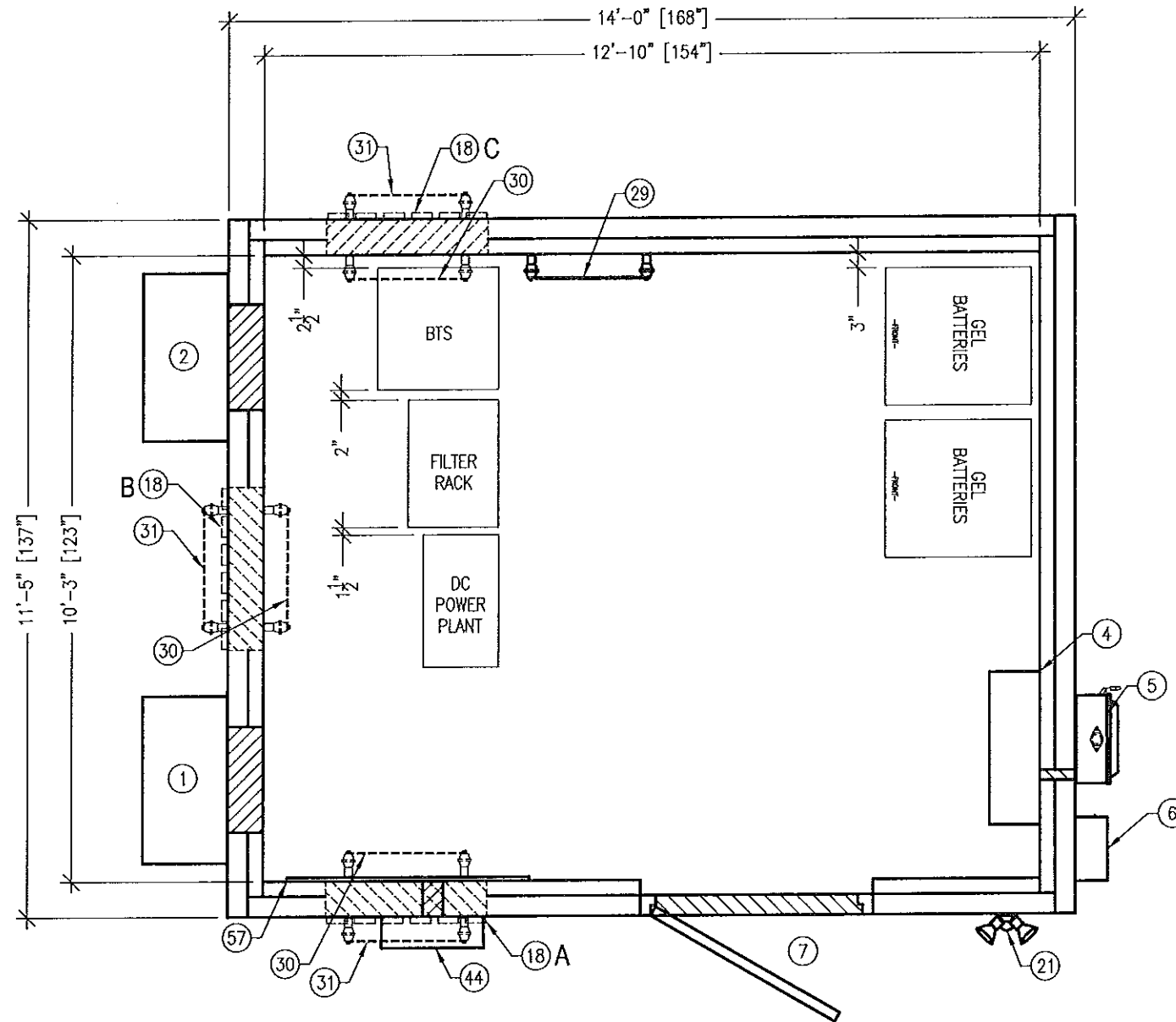
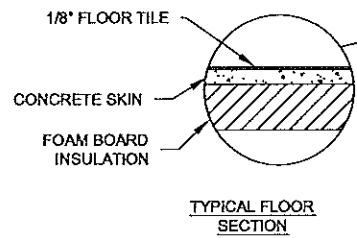
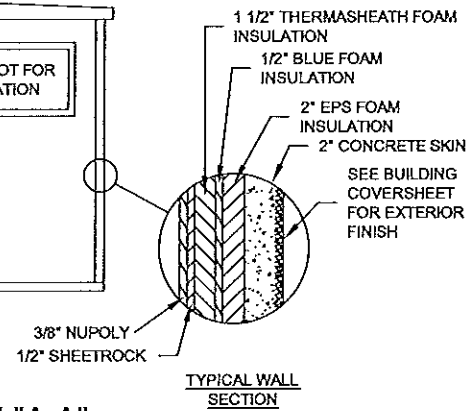
DRN. BY: CSP DATE: 8/19/13 APP. BY: DATE:
CHK. BY: DATE: APP. BY: DATE:

FC-64

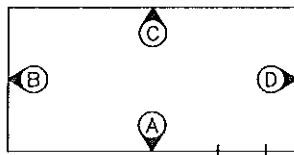
SCALE: 3/8"=1'-0" SHEET NO.: 1-1
DWG NO.: D-9406



SECTION \"A-A\"
SCALE: N.T.S.



FLOOR PLAN
159.8 sq ft



ELEVATION KEY

NOTES:

1. ALL ITEMS MARKED FIELDWORK SHALL BE INSTALLED, TESTED, REMOVED & PACKED IN BUILDING PRIOR TO SHIPMENT.
2. ITEMS 18, 30, & 31 ARE SHOWN IN OPTIONAL LOCATIONS. SEE BUILDING COVERSHEET FOR SELECTED LOCATIONS.
3. ADHERE A RED LABEL TO THIS 2" LB STATING "COMMERCIAL POWER".

REV.	BY	DATE	REVISION	APP.	DATE	BOM	DATE

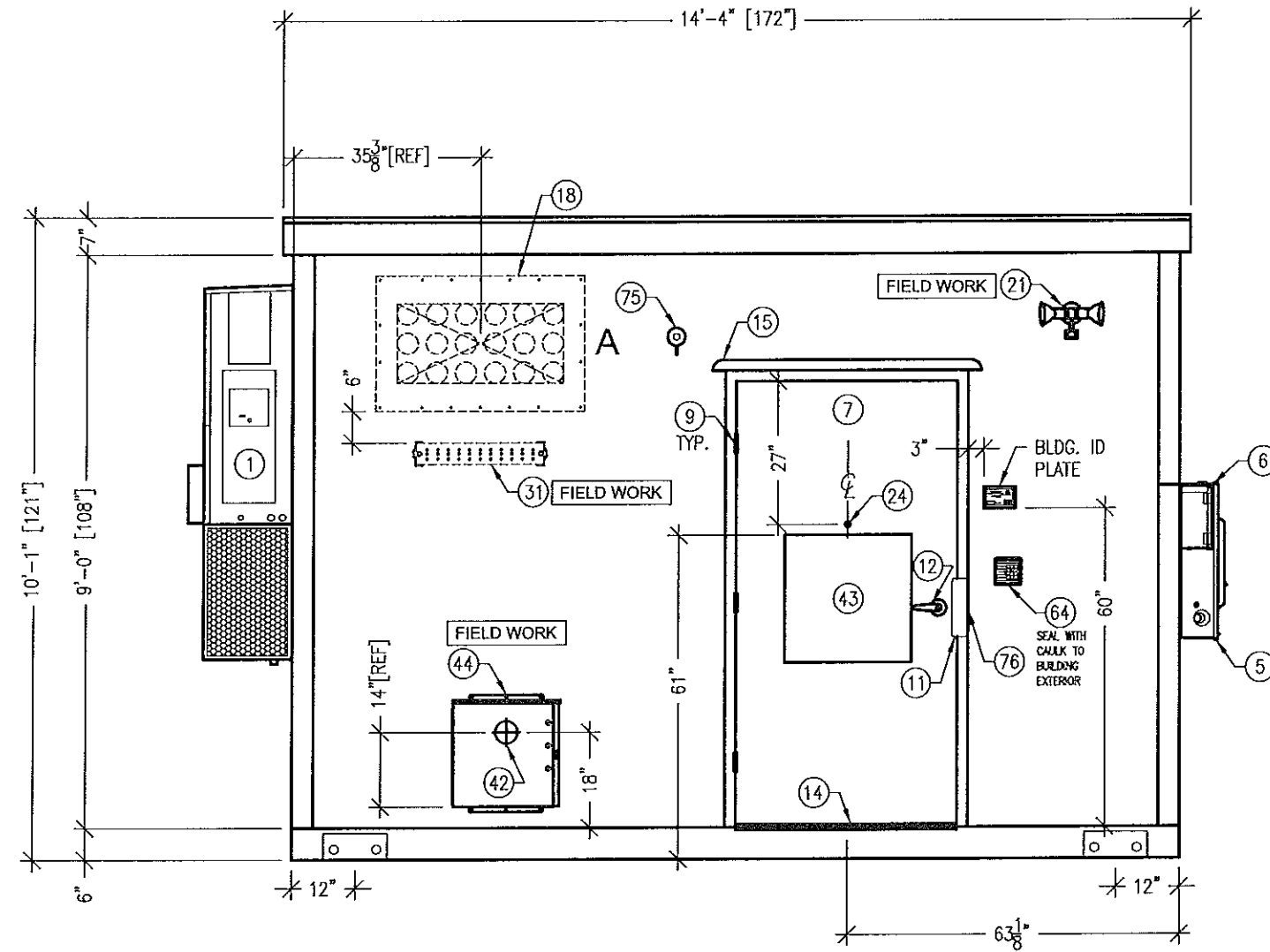
THESE PLANS ARE THE CONFIDENTIAL PROPERTY AND TRADE SECRETS OF FIBREBOND CORPORATION. ANY USE OF THESE DRAWINGS OR THE INFORMATION CONTAINED HEREIN FOR ANY REASON OTHER THAN AS EXPRESSLY AUTHORIZED BY FIBREBOND CORPORATION IS STRICTLY PROHIBITED. THESE DRAWINGS HAVE BEEN DISTRIBUTED WITH THE UNDERSTANDING THAT ANYONE RECEIVING OR OTHERWISE OBTAINING POSSESSION OF THEM WILL BE EXPRESSLY NOTIFIED OF THEIR CONFIDENTIAL NATURE.

1300 DAVENPORT DRIVE MINDEN, LA. 71055 ph. (800) 824-2614 www.fibrebond.com			
GOGO LLC			
11'-5" X 14'-0" EQUIPMENT SHELTER			
FLOOR PLAN			
DRN BY: CSP	DATE: 8/19/13	APP. BY: -	DATE: -
CHEK BY: -	DATE: -	APP. BY: -	DATE: -

FC-64

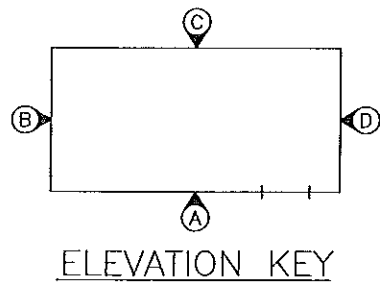
SCALE: 3/8"=1'-0" SHEET NO.: 1-1.1

DWG NO.: D-9406



ELEVATION A

NOTE:
SEE FLOOR PLAN FOR NOTES



FC-64

REV.	BY	DATE	REVISION	APP.	DATE	BOW	DATE

THESE PLANS ARE THE CONFIDENTIAL PROPERTY AND TRADE SECRETS OF FIBREBOND CORPORATION. ANY USE OF THESE DRAWINGS OR THE INFORMATION CONTAINED HEREIN FOR ANY REASON OTHER THAN AS EXPRESSLY AUTHORIZED BY FIBREBOND CORPORATION IS STRICTLY PROHIBITED. THESE DRAWINGS HAVE BEEN DISTRIBUTED WITH THE UNDERSTANDING THAT ANYONE RECEIVING OR OTHERWISE OBTAINING POSSESSION OF THEM WILL BE EXPRESSLY NOTIFIED OF THEIR CONFIDENTIAL NATURE.

1300 DAVENPORT DRIVE MINDEN, LA. 71055
ph. (800) 824-2614 www.fibrebond.com

GOGO LLC

11'-5" X 14'-0" EQUIPMENT SHELTER

EXTERIOR ELEVATION A

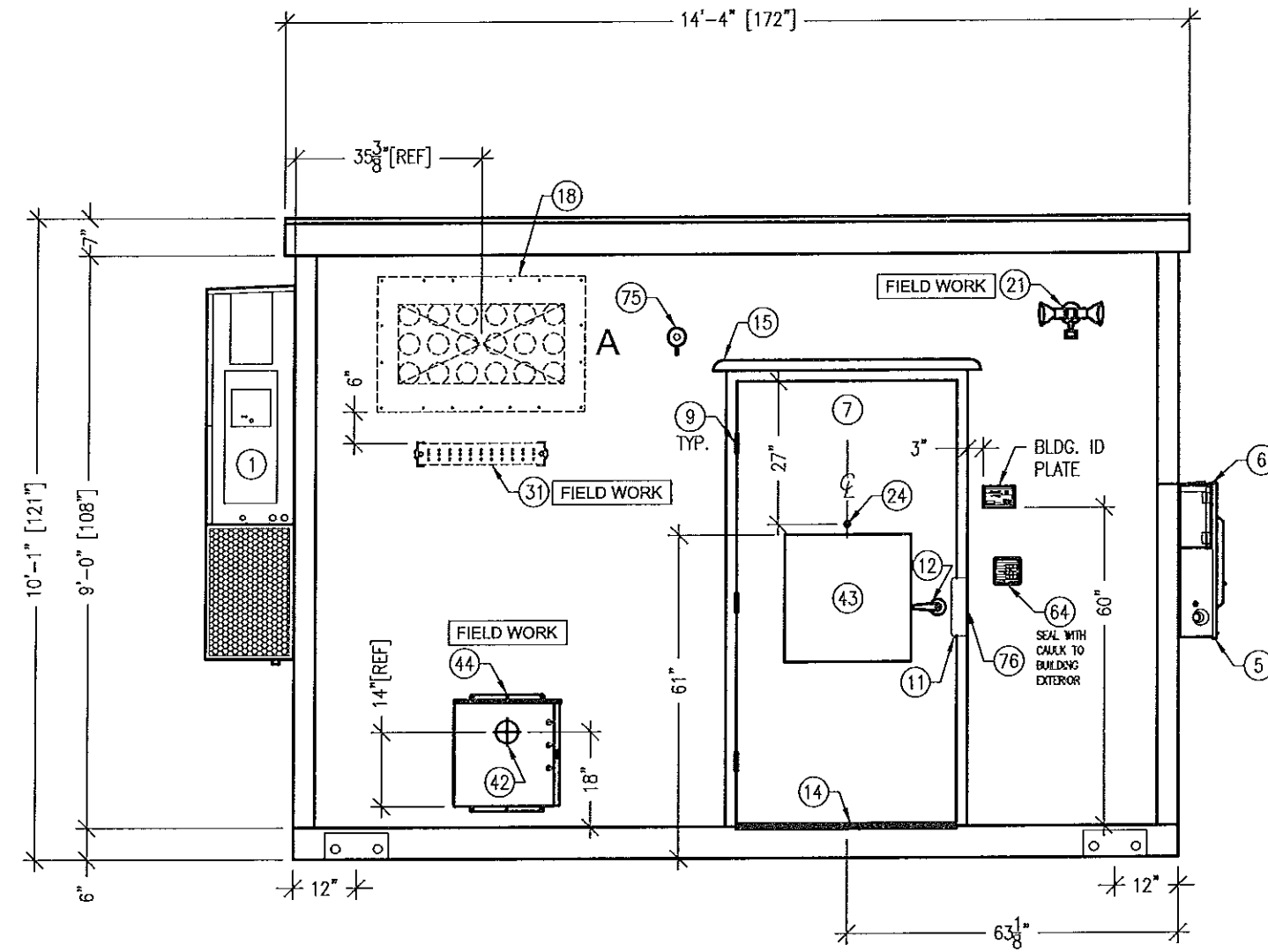
DRN. BY: CSP	DATE: 8/19/13	APP. BY: [Signature]	DATE: [Date]
CHK. BY: [Signature]	DATE: [Date]	APP. BY: --	DATE: --

FIBREBOND

SCALE: 3/8"=1'-0"

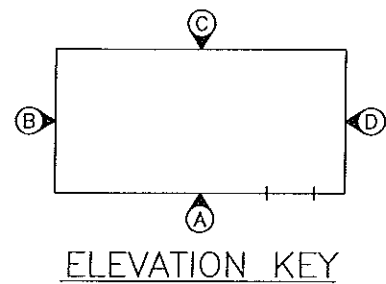
SHEET NO: 1-2

DWG NO: D-9406



ELEVATION A

NOTE:
SEE FLOOR PLAN FOR NOTES



ELEVATION KEY

FC-64

REV.	BY	DATE	REVISION	APP.	DATE	BOM	DATE

THESE PLANS ARE THE CONFIDENTIAL PROPERTY AND TRADE SECRETS OF FIBREBOND CORPORATION. ANY USE OF THESE DRAWINGS OR THE INFORMATION CONTAINED HEREIN FOR ANY REASON OTHER THAN AS EXPRESSLY AUTHORIZED BY FIBREBOND CORPORATION IS STRICTLY PROHIBITED. THESE DRAWINGS HAVE BEEN DISTRIBUTED WITH THE UNDERSTANDING THAT ANYONE RECEIVING OR OTHERWISE OBTAINING POSSESSION OF THEM WILL BE EXPRESSLY NOTIFIED OF THEIR CONFIDENTIAL NATURE.

1300 DAVENPORT DRIVE MINDEN, LA. 71055
ph. (800) 824-2614 www.fibrebond.com

GOGO LLC

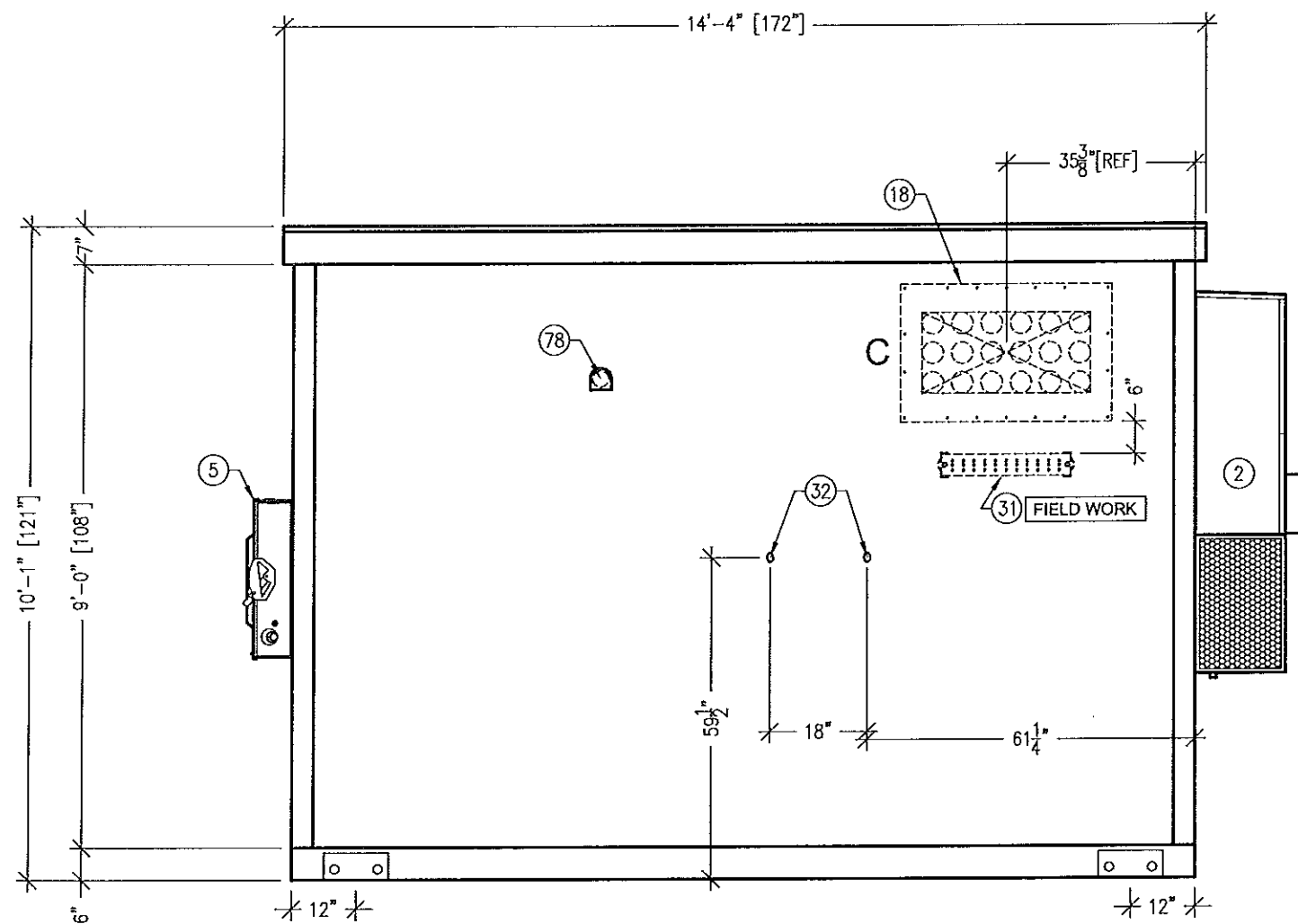
11'-5" X 14'-0" EQUIPMENT SHELTER

EXTERIOR ELEVATION A

DRN. BY: CSP	DATE: 8/19/13	APP. BY:	DATE:
CHEK BY:	DATE:	APP. BY: -	DATE: -

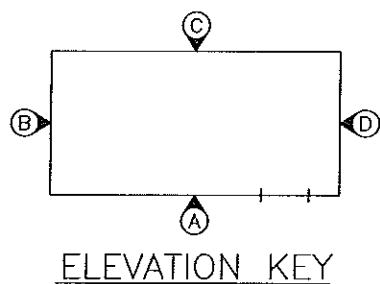
SCALE: 3/8"=1'-0" SHEET NO.: 1-2.1

DWG NO.: D-9406



ELEVATION C

NOTE:
SEE FLOOR PLAN FOR NOTES



ELEVATION KEY

FC-64

REV.	BY	DATE	REVISION	APP.	DATE	BOW	DATE

THESE PLANS ARE THE CONFIDENTIAL PROPERTY AND TRADE SECRETS OF FIBREBOND CORPORATION. ANY USE OF THESE DRAWINGS OR THE INFORMATION CONTAINED HEREIN FOR ANY REASON OTHER THAN AS EXPRESSLY AUTHORIZED BY FIBREBOND CORPORATION IS STRICTLY PROHIBITED. THESE DRAWINGS HAVE BEEN DISTRIBUTED WITH THE UNDERSTANDING THAT ANYONE RECEIVING OR OTHERWISE OBTAINING POSSESSION OF THEM WILL BE EXPRESSLY NOTIFIED OF THEIR CONFIDENTIAL NATURE.

1300 DAVENPORT DRIVE MINDEN, LA. 71055
ph. (800) 824-2614 www.fibrebond.com

GOGO LLC

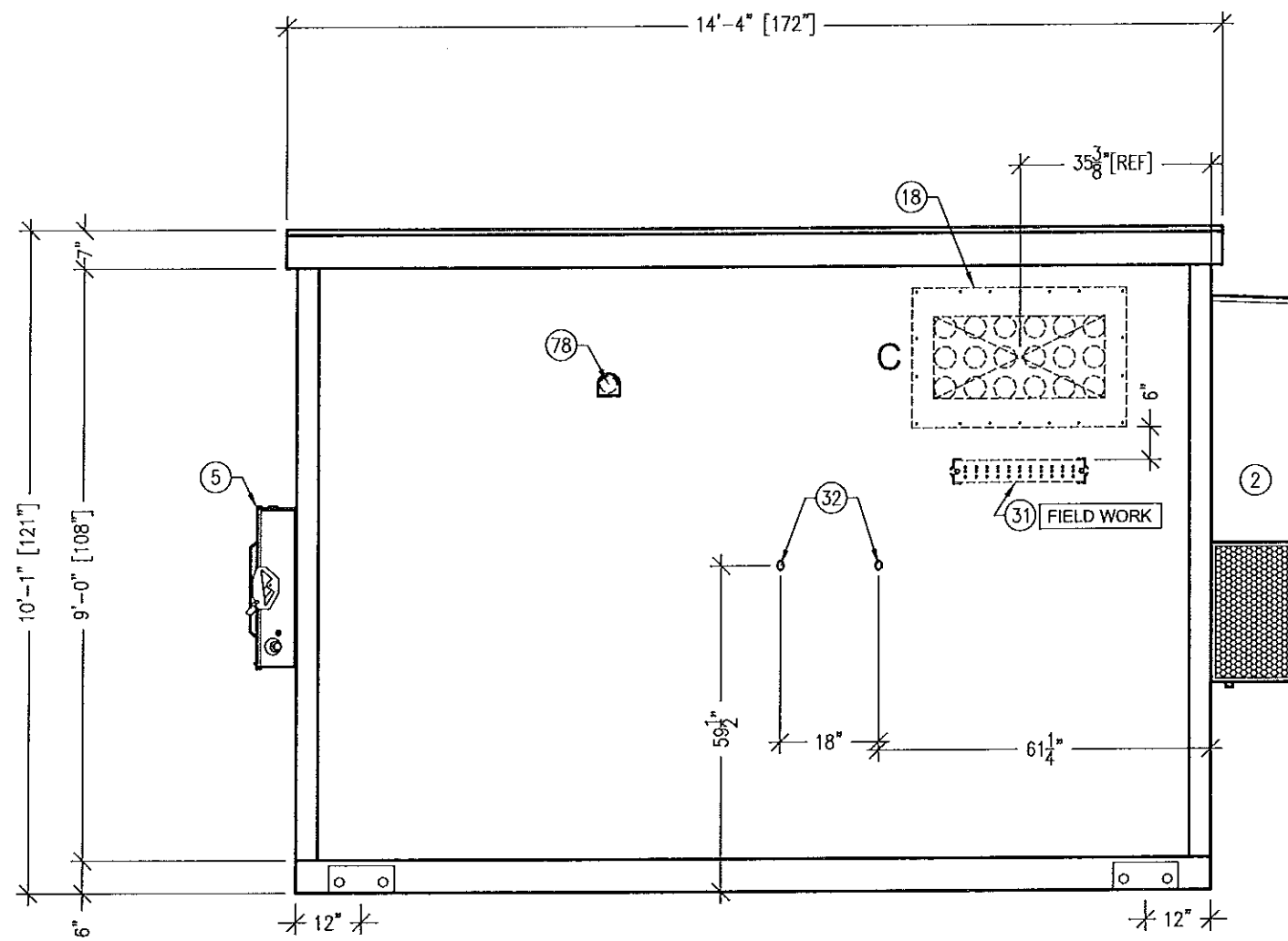
11'-5" X 14'-0" EQUIPMENT SHELTER

EXTERIOR ELEVATION C

DESIGN BY: CSP	DATE: 8/19/13	APP. BY:	DATE:
CHECK BY:	DATE:	APP. BY: -	DATE: -

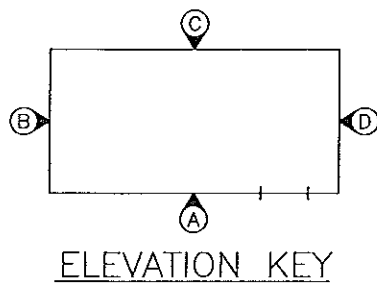
FIBREBOND

SCALE: 3/8"=1'-0"	SHEET NO.: 1-3
B	DWG NO.: D-9406



ELEVATION C

NOTE:
SEE FLOOR PLAN FOR NOTES



FC-64

REV.	BY	DATE	REVISION	APP.	DATE	BOM	DATE

THESE PLANS ARE THE CONFIDENTIAL PROPERTY AND TRADE SECRETS OF FIBREBOND CORPORATION. ANY USE OF THESE DRAWINGS OR THE INFORMATION CONTAINED HEREIN FOR ANY REASON OTHER THAN AS EXPRESSLY AUTHORIZED BY FIBREBOND CORPORATION IS STRICTLY PROHIBITED. THESE DRAWINGS HAVE BEEN DISTRICTED WITH THE UNDERSTANDING THAT ANYONE RECEIVING OR OTHERWISE OBTAINING POSSESSION OF THEM WILL BE EXPRESSLY NOTIFIED OF THEIR CONFIDENTIAL NATURE.

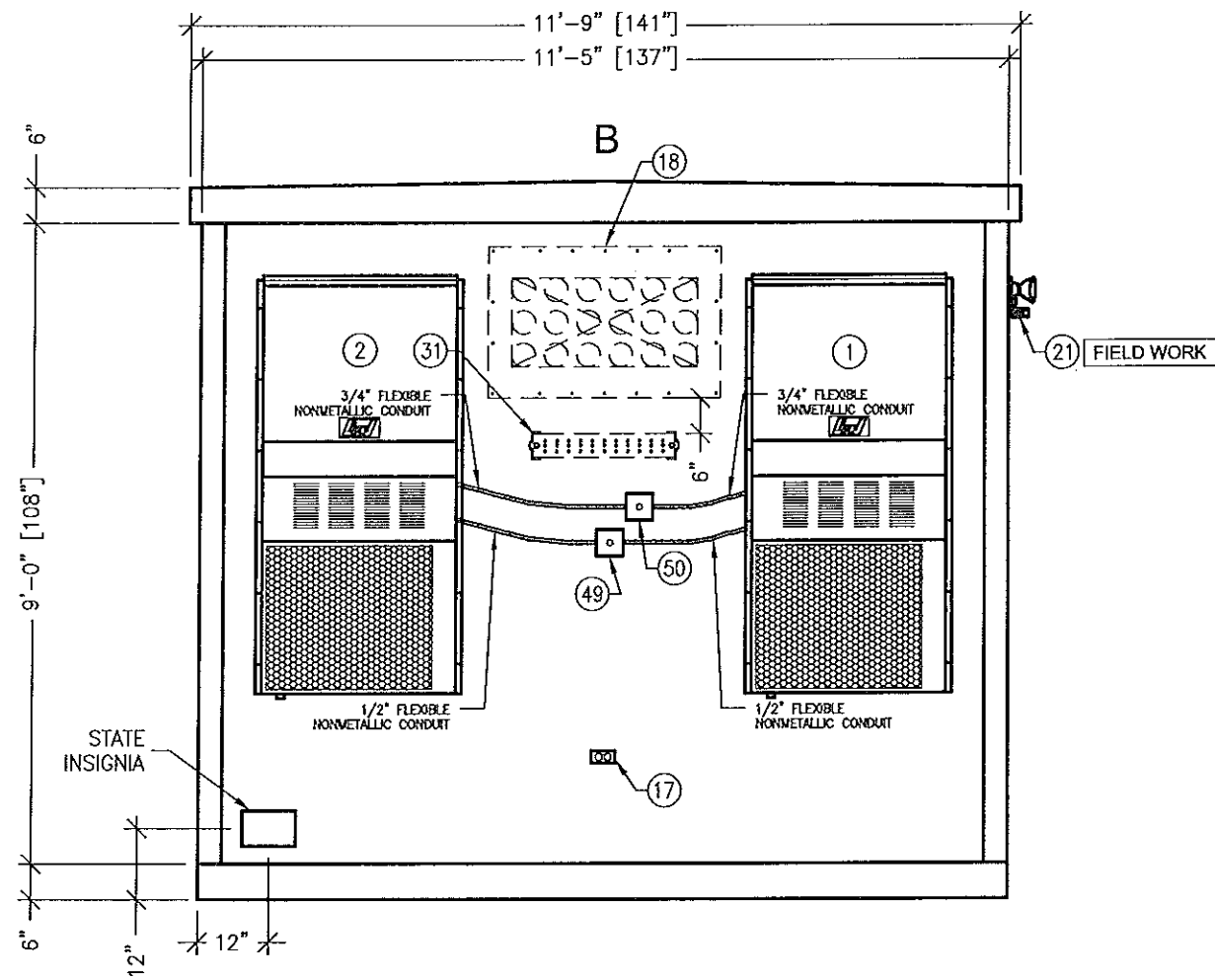
1300 DAVENPORT DRIVE MINDEN, LA. 71055
ph. (800) 824-2614 www.fibrebond.com

GOGO LLC
11'-5" X 14'-0" EQUIPMENT SHELTER
EXTERIOR ELEVATION C

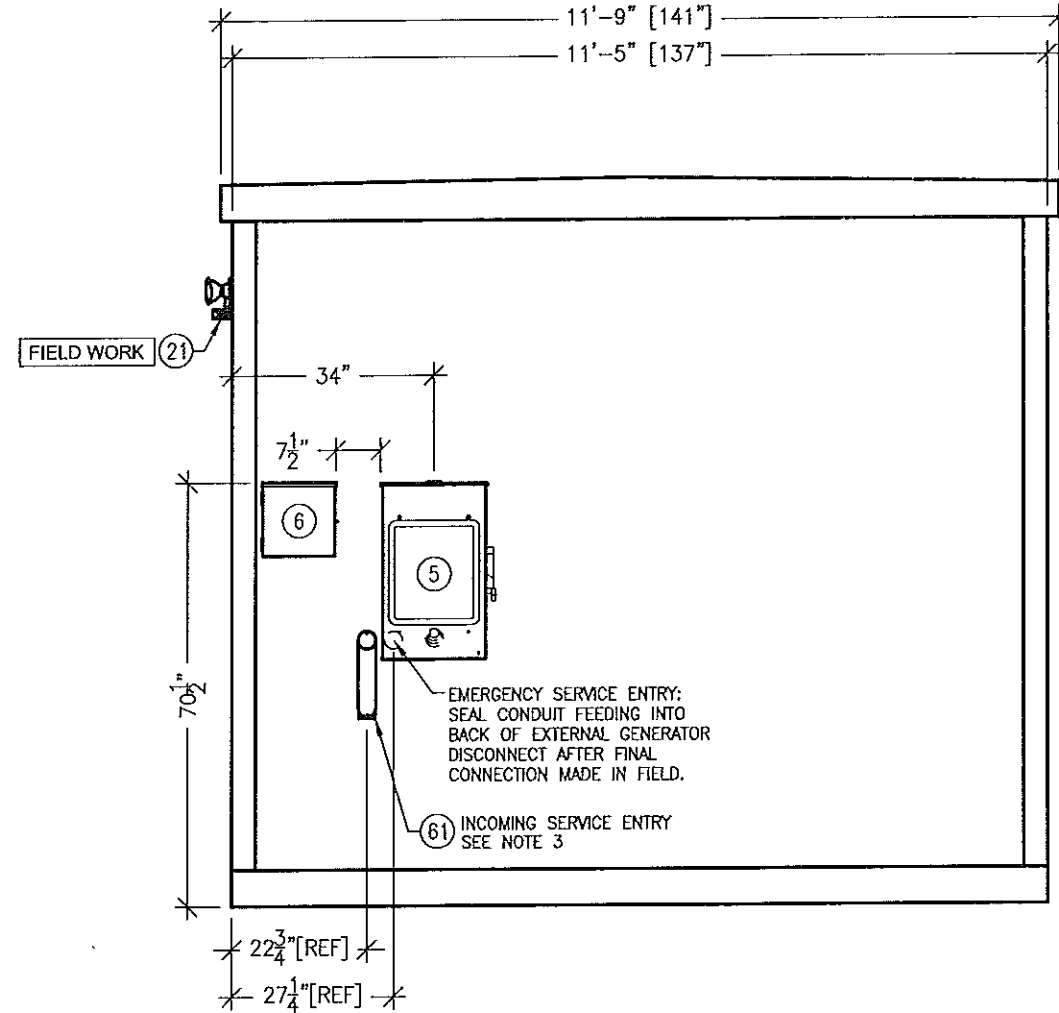


DRP BY:	CSP	DATE:	8/19/13	APP BY:		DATE:	
CHK BY:		DATE:		APP BY:	-	DATE:	-

SCALE:	3/8"=1'-0"	SHEET NO.:	1-3.1
DWG NO.:	D-9406		

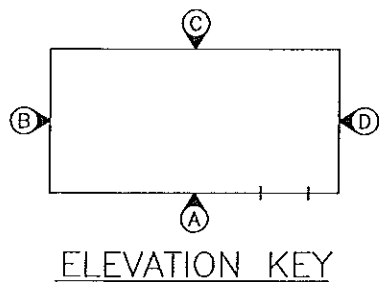


ELEVATION "B"



ELEVATION "D"

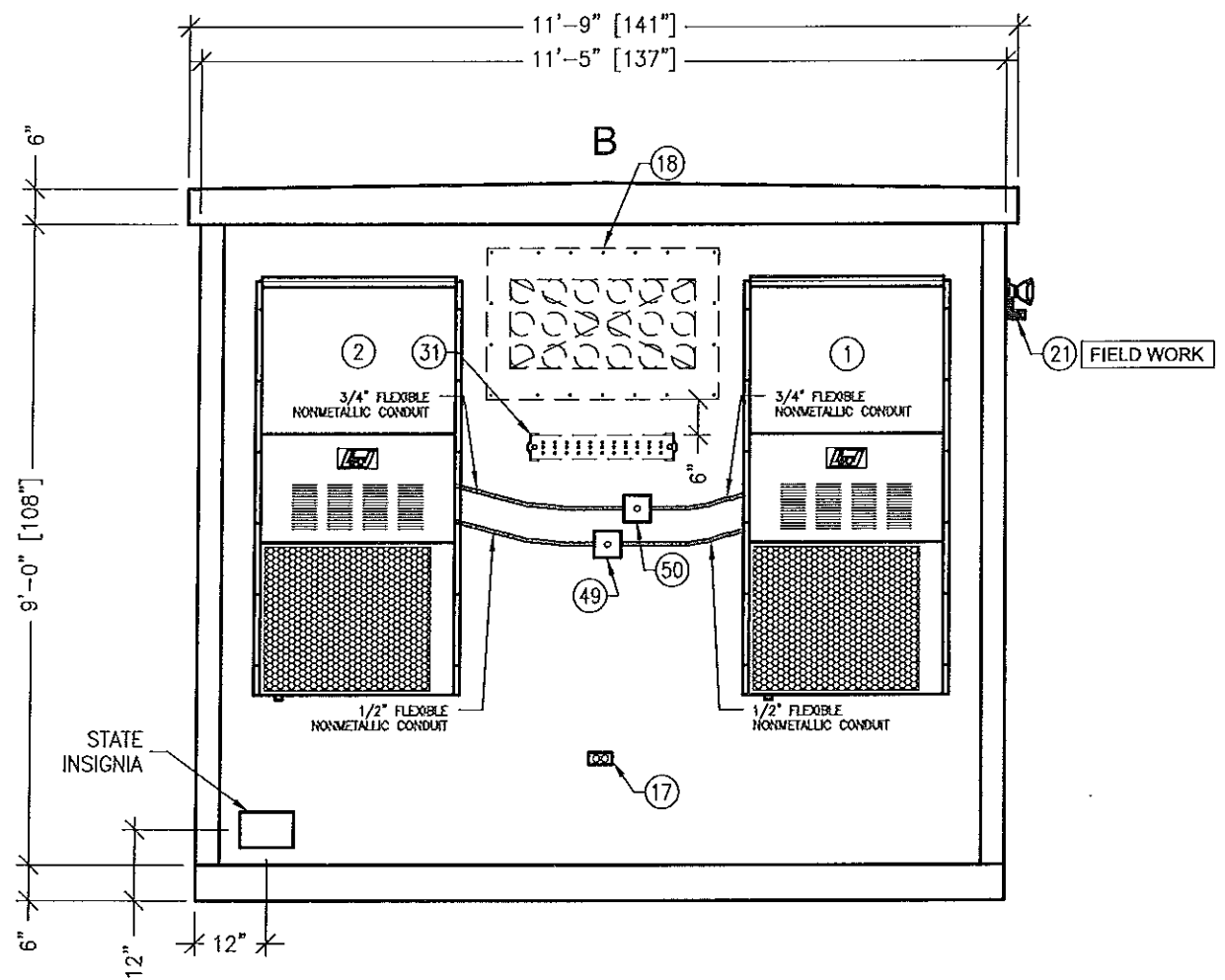
NOTE:
SEE FLOOR PLAN FOR NOTES



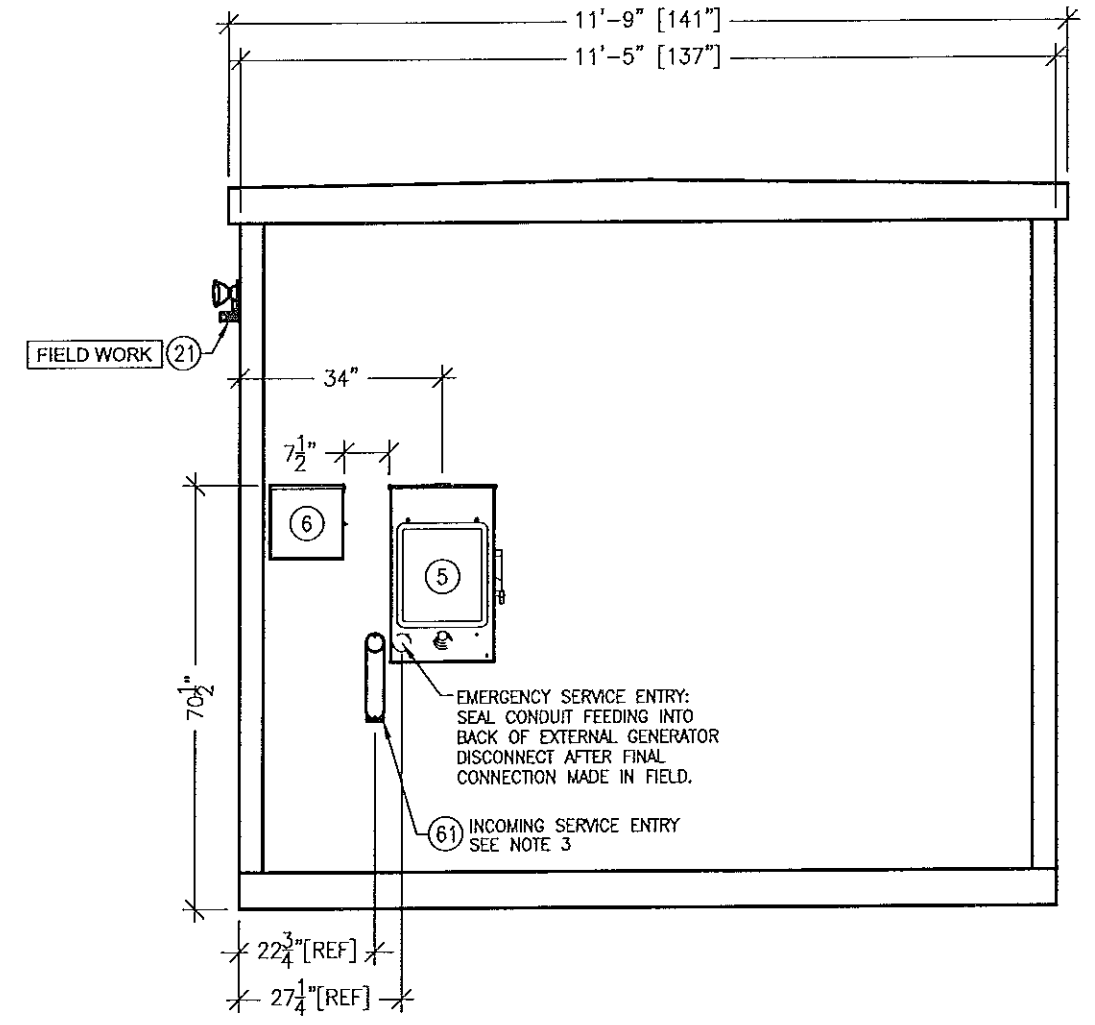
ELEVATION KEY

FC-64

						THESE PLANS ARE THE CONFIDENTIAL PROPERTY AND TRADE SECRETS OF FIBREBOND CORPORATION. ANY USE OF THESE DRAWINGS OR THE INFORMATION CONTAINED HEREIN FOR ANY REASON OTHER THAN AS EXPRESSLY AUTHORIZED BY FIBREBOND CORPORATION IS STRICTLY PROHIBITED. THESE DRAWINGS HAVE BEEN DISTRIBUTED WITH THE UNDERSTANDING THAT ANYONE RECEIVING OR OTHERWISE OBTAINING POSSESSION OF THEM WILL BE EXPRESSLY NOTIFIED OF THEIR CONFIDENTIAL NATURE.	1300 DAVENPORT DRIVE MINDEN, LA. 71055 ph. (800) 824-2614 www.fibrebond.com					
							GOGO LLC 11'-5" X 14'-0" EQUIPMENT SHELTER EXTERIOR ELEVATIONS "B" & "D"			SCALE: 3/8"=1'-0"	SHEET NO.: 1-4	
REV.	BY	DATE	REVISION	APP.	DATE	BOM	DATE	DRN. BY: CSP	DATE: 8/19/13	APP. BY:	DATE:	B DNG NO.: D-9406
								CHK. BY:	DATE:	APP. BY: -	DATE: -	

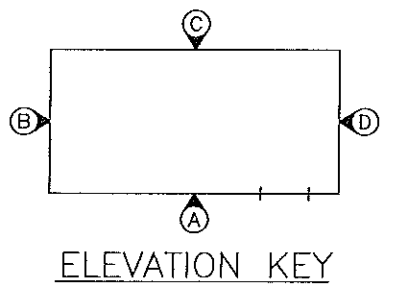


ELEVATION "B"



ELEVATION "D"

NOTE:
SEE FLOOR PLAN FOR NOTES



REV.	BY	DATE	REVISION	APP.	DATE	BOM	DATE

THESE PLANS ARE THE CONFIDENTIAL PROPERTY AND TRADE SECRETS OF FIBREBOND CORPORATION. ANY USE OF THESE DRAWINGS OR THE INFORMATION CONTAINED HEREIN FOR ANY REASON OTHER THAN AS EXPRESSLY AUTHORIZED BY FIBREBOND CORPORATION IS STRICTLY PROHIBITED. THESE DRAWINGS HAVE BEEN DISTRIBUTED WITH THE UNDERSTANDING THAT ANYONE RECEIVING OR OTHERWISE OBTAINING POSSESSION OF THEM WILL BE EXPRESSLY NOTIFIED OF THEIR CONFIDENTIAL NATURE.

1300 DAVENPORT DRIVE MINDEN, LA 71055
ph. (800) 824-2614 www.fibrebond.com

GOGO LLC

11'-5" X 14'-0" EQUIPMENT SHELTER

EXTERIOR ELEVATIONS "B" & "D"

DRN. BY: CSP	DATE: 8/19/13	APP. BY:	DATE:
CHK. BY:	DATE:	APP. BY: -	DATE: -

FC-64

F
FIBREBOND

SCALE: 3/8"=1'-0"
SHEET NO.: 1-4.1

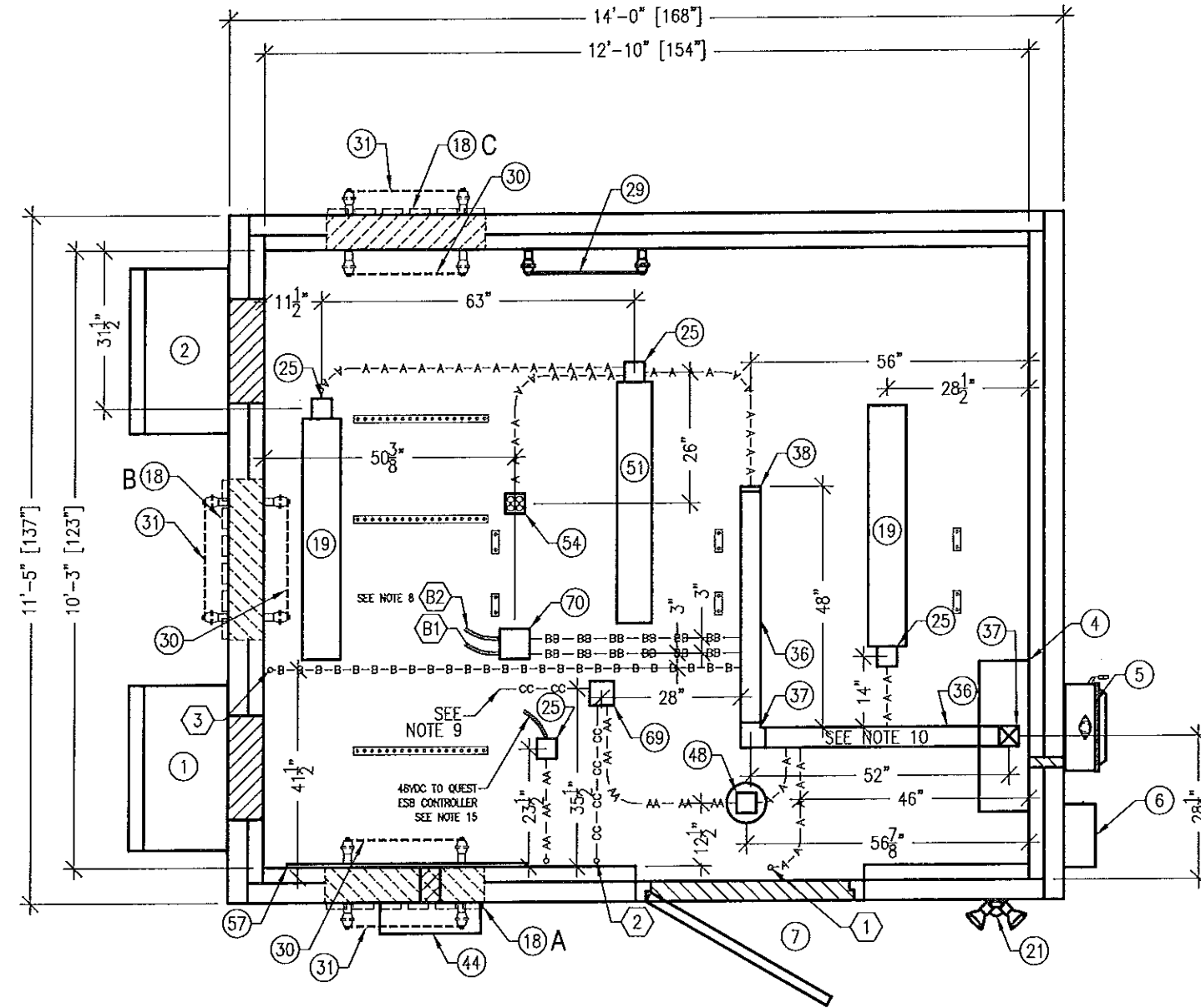
DWG NO.: B D-9406

CONDUIT KEY		
A.C.	LOW VOLTAGE	PVC
A = 1/2"	AA = 1/2"	XA = 1/2"
B = 3/4"	BB = 3/4"	XB = 3/4"
C = 1"	CC = 1"	XC = 1"
D = 1 1/4"	DD = 1 1/4"	XD = 1 1/4"
E = 1 1/2"	EE = 1 1/2"	XE = 1 1/2"
F = 2"	FF = 2"	XF = 2"
G = 2 1/2"	GG = 2 1/2"	XG = 2 1/2"
H = 3"	HH = 3"	XH = 3"
I = 3 1/2"	II = 3 1/2"	XI = 3 1/2"
J = 4"	JJ = 4"	XJ = 4"

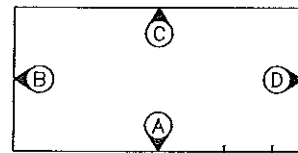
○○○○○○ = FLEXIBLE NONMETALLIC CONDUIT

NOTES:

- ALL MEASUREMENTS SHOWN ARE ACCURATE WITHIN ±1/4" ALL ADJACENT BOXES SHALL BE THE SAME DIMENSION.
- THE LOCATIONS OF 4" X 4" AND 4 11/16" X 4 11/16" JUNCTION BOXES AND SMALLER ITEMS CAN BE ADJUSTED ±3" AS REQUIRED TO PREVENT INTERFERENCE WITH TRIM PIECES. INTERFERENCE WITH OTHER COMPONENTS WILL REQUIRE TRIM TO BE CUT.
- CONDUIT SHOULD BE INSTALLED AS SHOWN IF POSSIBLE. ANY CHANGES TO 90° BENDS, OFFSETS AND SADDLES MAY BE DONE WHEN NEEDED AND SHOULD BE UNDER THE GUIDANCE OF A QUALIFIED SENIOR CREW LEADER. ANY CHANGE MUST BE WITHIN THE GUIDELINES OF STANDARD OPERATING PROCEDURE FOR GENERAL CONDUIT RULES.
- ALL CONDUIT TO HAVE A MINIMUM OF 3/4" BETWEEN THEM.
- ALL CONDUIT TO BE 1/2" UNLESS OTHERWISE NOTED.
- ITEMS 18, 30, AND 31 ARE SHOWN IN ALL OPTIONAL LOCATIONS. INSTALL ONLY AT INSTALLED WAVEGUIDE, LOCATE AS SHOWN ON ELEVATION VIEW. SEE BUILDING COVERSHEET FOR SELECTED LOCATIONS.
- MOUNT ON UNISTRUT AS NEEDED.
- ATTACH 3-FT LONG PIECE OF 3/4" FLEXIBLE NONMETALLIC CONDUIT TO JBOX WITH 45° CONNECTOR. ZIP TIE STRAIGHT CONNECTOR TO OTHER END. LABEL EACH FLEXIBLE CONDUIT WITH CIRCUIT NUMBER AND CONDUIT DESIGNATION FROM PANEL.
- INSTALL 1" EMT CONNECTOR ON END OF THIS RUN.
- MOUNT WIREWAY DIRECTLY TO CEILING WITH OPENING TOWARD FLOOR. VERTICAL WIREWAY FROM ILC TO CEILING MOUNTED WIREWAY TO BE MOUNTED ON UNISTRUT.
- MOUNT RECEPTACLE (ITEM #53) INSIDE 8X8 BOX (ITEM #63). CONNECT CAMERA (INSTALL CENTER) TO RECEPTACLE (ITEM #53). RECEPT #53 IS MOUNTED AGAINST WALL INSIDE ITEM#63.
- SPILL CONTAINMENT SYSTEM REQUIRED. TERMINATE 6" ABOVE FLOOR. TRIM AS REQUIRED.
- QUEST CONTROLS PRESSURE SWITCHES INSTALL IN THE RETURN AIRSTREAM OF EACH HVAC. SEE DETAIL ON SHEET ELECTRICAL SCHEMATIC #2.
- ROUTE ALL GENERATOR ALARM AND POWER WIRES ON 'D' WALL SIDE OF GENERATOR. ROUTE NECESSARY WIRING INTO RIGHT SIDE OF GENERATOR PANEL(S) TO ELIMINATE SHARP BEND RADIUS.
- 1/2" NON-METALLIC STRAIGHT CONNECTOR INTO 6'-0" 1/2" NON-METALLIC SEALTIGHT WITH 12" WIRE LEAD BEYOND END OF SEALTIGHT. TY-WRAP A 1/2" STRAIGHT CONNECTOR TO END. WIRES TO BE QTY (1) EACH OF #12 RED AND BLACK.
- ALL CONDUIT SHALL BE EMT UNLESS OTHERWISE NOTED.
- ALL CONDUIT THROUGH A WALL SHALL BE RIGID UNLESS OTHERWISE NOTED.



CEILING VIEW



ELEVATION KEY

FC-64

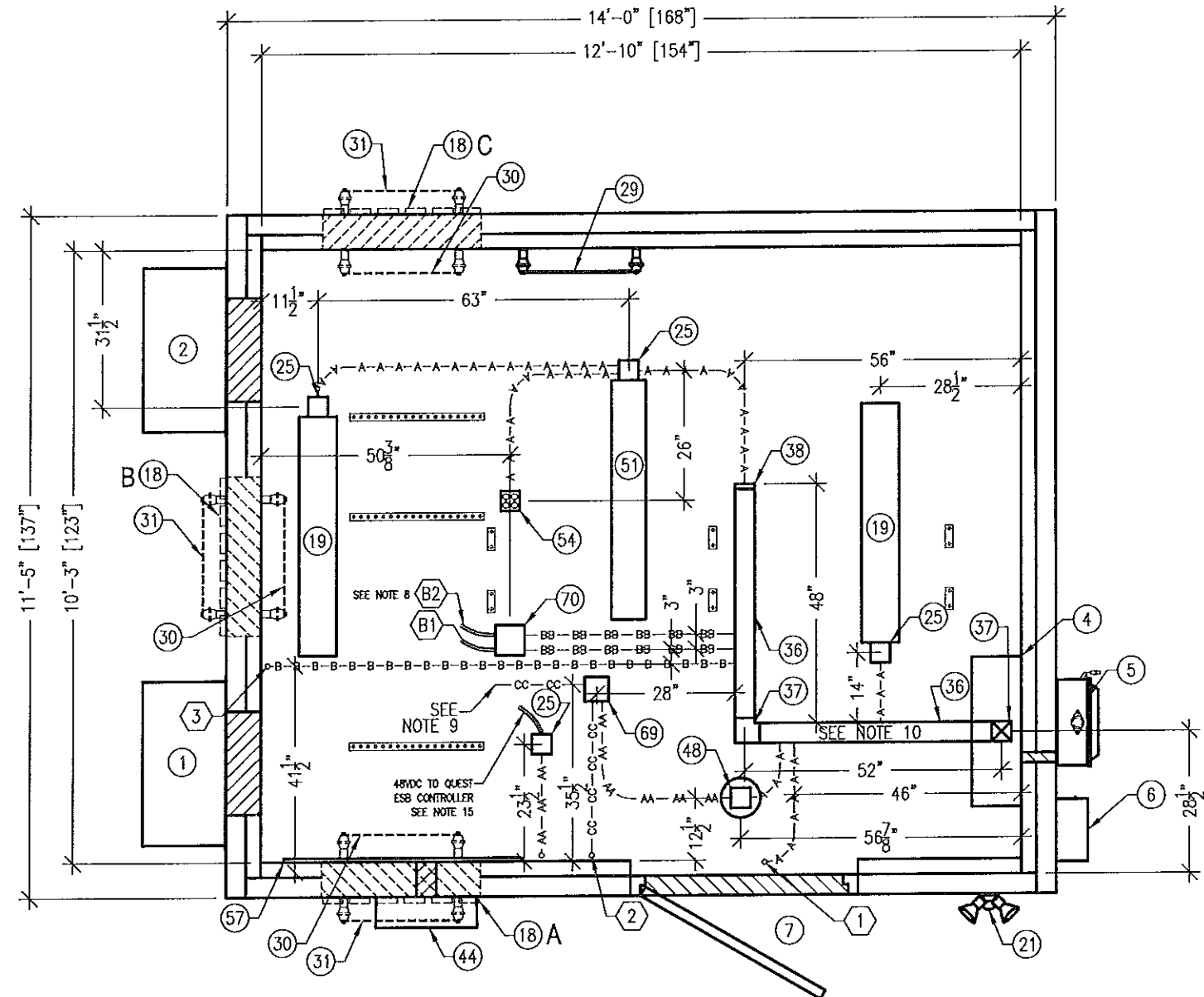
THESE PLANS ARE THE CONFIDENTIAL PROPERTY AND TRADE SECRETS OF FIBREBOND CORPORATION. ANY USE OF THESE DRAWINGS OR THE INFORMATION CONTAINED HEREIN FOR ANY REASON OTHER THAN AS EXPRESSLY AUTHORIZED BY FIBREBOND CORPORATION IS STRICTLY PROHIBITED. THESE DRAWINGS HAVE BEEN DISTRIBUTED WITH THE UNDERSTANDING THAT ANYONE RECEIVING OR OTHERWISE OBTAINING POSSESSION OF THEM WILL BE EXPRESSLY NOTIFIED OF THEIR CONFIDENTIAL NATURE.						1300 DAVENPORT DRIVE MINDEN, LA. 71055 ph. (800) 824-2614 www.fibrebond.com			
						GOGO LLC 11'-5" X 14'-0" EQUIPMENT SHELTER INTERIOR CEILING VIEW			SCALE: 3/8"=1'-0" SHEET NO.: 2-1
REV.	BY	DATE	REVISION	APP.	DATE	BOW	DATE	DRN. BY: CSP DATE: 8/19/13 APP. BY: DATE: CHK. BY: DATE: APP. BY: -- DATE: --	B DWG NO.: D-9406

CONDUIT KEY		
A.C.	LOW VOLTAGE	PVC
A = 1/2"	AA = 1/2"	XA = 1/2"
B = 3/4"	BB = 3/4"	XB = 3/4"
C = 1"	CC = 1"	XC = 1"
D = 1 1/4"	DD = 1 1/4"	XD = 1 1/4"
E = 1 1/2"	EE = 1 1/2"	XE = 1 1/2"
F = 2"	FF = 2"	XF = 2"
G = 2 1/2"	GG = 2 1/2"	XG = 2 1/2"
H = 3"	HH = 3"	XH = 3"
I = 3 1/2"	II = 3 1/2"	XI = 3 1/2"
J = 4"	JJ = 4"	XJ = 4"

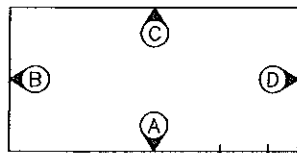
○ = FLEXIBLE NONMETALLIC CONDUIT

NOTES:

- ALL MEASUREMENTS SHOWN ARE ACCURATE WITHIN ±1/4" ALL ADJACENT BOXES SHALL BE THE SAME DIMENSION.
- THE LOCATIONS OF 4" X 4" AND 4 11/16" X 4 11/16" JUNCTION BOXES AND SMALLER ITEMS CAN BE ADJUSTED ±3" AS REQUIRED TO PREVENT INTERFERENCE WITH TRIM PIECES. INTERFERENCE WITH OTHER COMPONENTS WILL REQUIRE TRIM TO BE CUT.
- CONDUIT SHOULD BE INSTALLED AS SHOWN IF POSSIBLE. ANY CHANGES TO 90° BENDS, OFFSETS AND SADDLES MAY BE DONE WHEN NEEDED AND SHOULD BE UNDER THE GUIDANCE OF A QUALIFIED SENIOR CREW LEADER. ANY CHANGE MUST BE WITHIN THE GUIDELINES OF STANDARD OPERATING PROCEDURE FOR GENERAL CONDUIT RULES.
- ALL CONDUIT TO HAVE A MINIMUM OF 3/4" BETWEEN THEM.
- ALL CONDUIT TO BE 1/2" UNLESS OTHERWISE NOTED.
- ITEMS 18, 30, AND 31 ARE SHOWN IN ALL OPTIONAL LOCATIONS. INSTALL ONLY AT INSTALLED WAVEGUIDE, LOCATE AS SHOWN ON ELEVATION VIEW. SEE BUILDING COVERSHEET FOR SELECTED LOCATIONS.
- MOUNT ON UNISTRUT AS NEEDED.
- ATTACH 3-FT LONG PIECE OF 3/4" FLEXIBLE NONMETALLIC CONDUIT TO JBOX WITH 45° CONNECTOR. ZIP TIE STRAIGHT CONNECTOR TO OTHER END. LABEL EACH FLEXIBLE CONDUIT WITH CIRCUIT NUMBER AND CONDUIT DESIGNATION FROM PANEL.
- INSTALL 1" EMT CONNECTOR ON END OF THIS RUN.
- MOUNT WIREWAY DIRECTLY TO CEILING WITH OPENING TOWARD FLOOR. VERTICAL WIREWAY FROM ILC TO CEILING MOUNTED WIREWAY TO BE MOUNTED ON UNISTRUT.
- MOUNT RECEPTACLE (ITEM #53) INSIDE 8X8 BOX (ITEM #63). CONNECT CAMERA (INSTALL CENTER) TO RECEPTACLE (ITEM #53). RECEPT #53 IS MOUNTED AGAINST WALL INSIDE ITEM#63.
- SPILL CONTAINMENT SYSTEM REQUIRED. TERMINATE 6" ABOVE FLOOR. TRIM AS REQUIRED.
- QUEST CONTROLS PRESSURE SWITCHES INSTALL IN THE RETURN AIRSTREAM OF EACH HVAC. SEE DETAIL ON SHEET ELECTRICAL SCHEMATIC #2.
- ROUTE ALL GENERATOR ALARM AND POWER WIRES ON 'D' WALL SIDE OF GENERATOR. ROUTE NECESSARY WIRING INTO RIGHT SIDE OF GENERATOR PANEL(S) TO ELIMINATE SHARP BEND RADIUS.
- 1/2" NON-METALLIC STRAIGHT CONNECTOR INTO 6'-0" 1/2" NON-METALLIC SEALTIGHT WITH 12" WIRE LEAD BEYOND END OF SEALTIGHT. TY-WRAP A 1/2" STRAIGHT CONNECTOR TO END. WIRES TO BE QTY (1) EACH OF #12 RED AND BLACK.
- ALL CONDUIT SHALL BE EMT UNLESS OTHERWISE NOTED.
- ALL CONDUIT THROUGH A WALL SHALL BE RIGID UNLESS OTHERWISE NOTED.



CEILING VIEW



ELEVATION KEY

FC-64

REV.	BY	DATE	REVISION	APP.	DATE	BOM	DATE

THESE PLANS ARE THE CONFIDENTIAL PROPERTY AND TRADE SECRETS OF FIBREBOND CORPORATION. ANY USE OF THESE DRAWINGS OR THE INFORMATION CONTAINED HEREIN FOR ANY REASON OTHER THAN AS EXPRESSLY AUTHORIZED BY FIBREBOND CORPORATION IS STRICTLY PROHIBITED. THESE DRAWINGS HAVE BEEN DISTRIBUTED WITH THE UNDERSTANDING THAT ANYONE RECEIVING OR OTHERWISE OBTAINING POSSESSION OF THEM WILL BE EXPRESSLY NOTIFIED OF THEIR CONFIDENTIAL NATURE.

1300 DAVENPORT DRIVE MINDEN, LA. 71055
 ph. (800) 824-2614 www.fibrebond.com

GOGO LLC

11'-5" X 14'-0" EQUIPMENT SHELTER

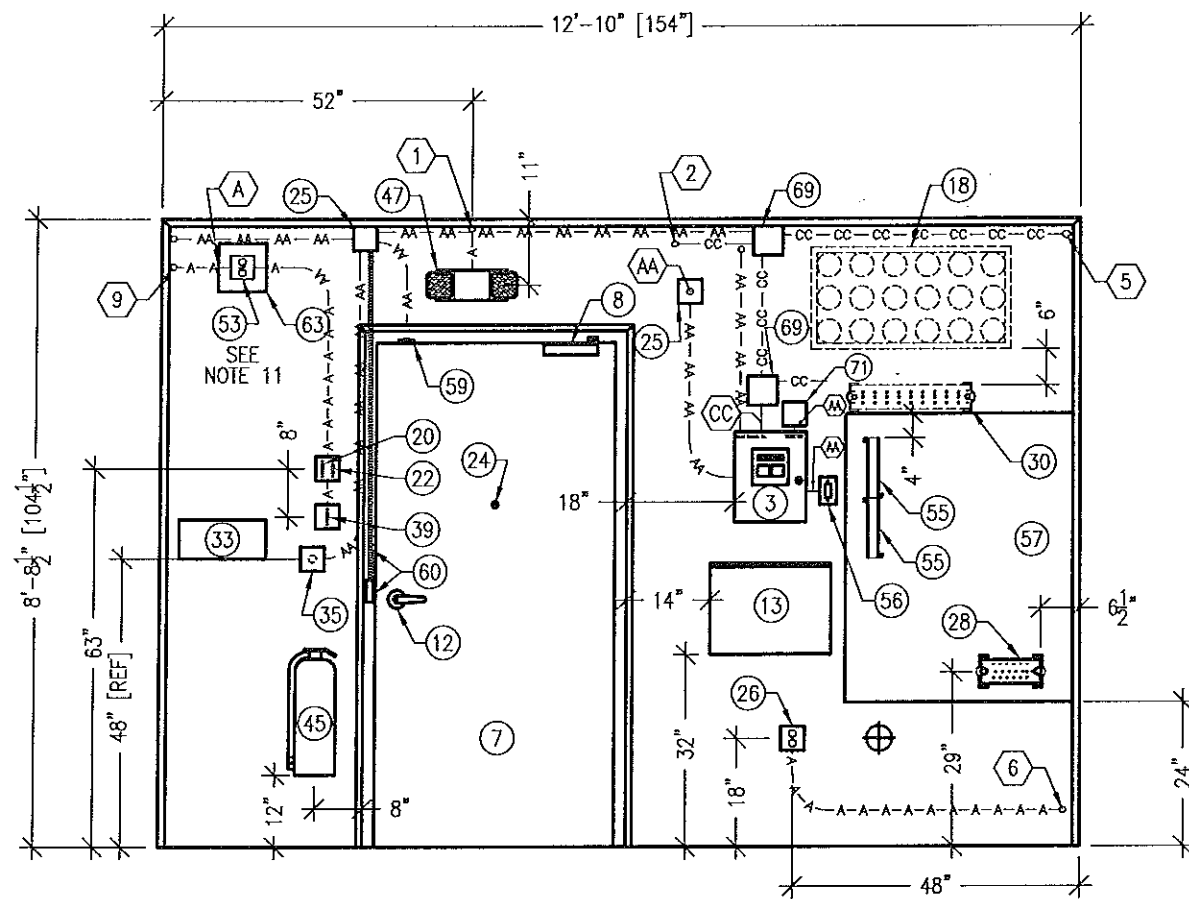
INTERIOR CEILING VIEW

DRW. BY: CSP DATE: 8/19/13 APP. BY: DATE: -
 CHK. BY: DW DATE: 04/08/11 APP. BY: DATE: -

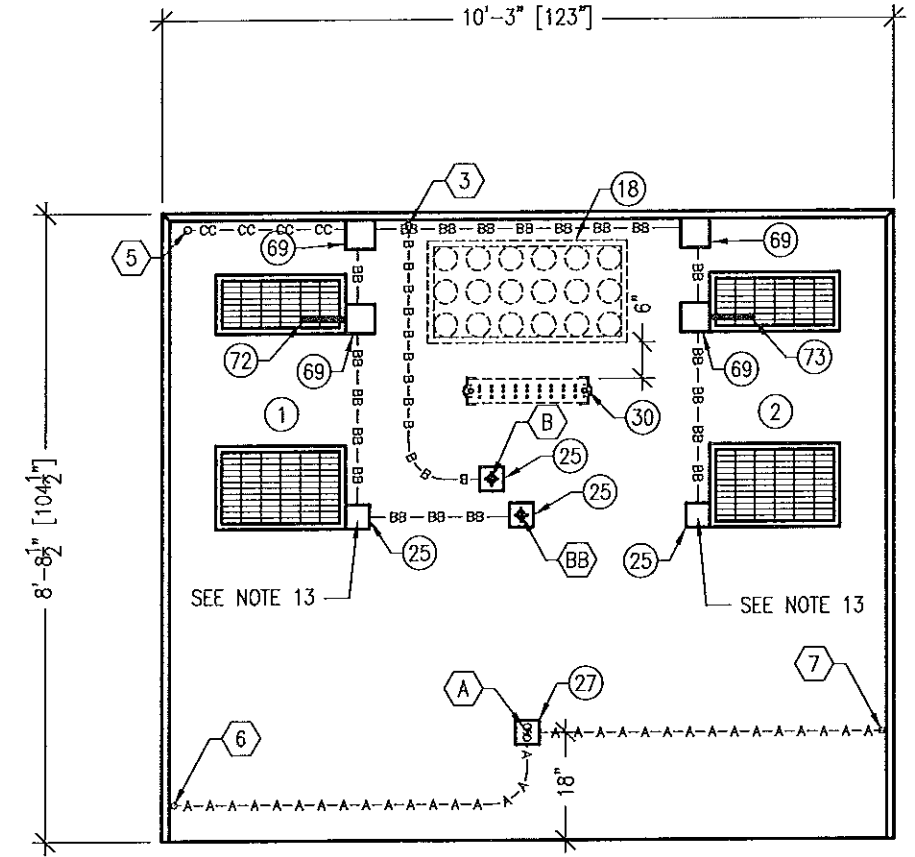
FIBREBOND

SCALE: 3/8" = 1'-0" SHEET NO.: 2-1.1

DWG NO.: D-9406

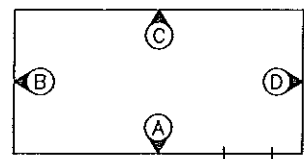


ELEVATION A



ELEVATION B

NOTE:
SEE INTERIOR CEILING VIEW FOR NOTES



ELEVATION KEY

FC-64

REV.	BY	DATE	REVISION	APP.	DATE	BOM	DATE

THESE PLANS ARE THE CONFIDENTIAL PROPERTY AND TRADE SECRETS OF FIBREBOND CORPORATION. ANY USE OF THESE DRAWINGS OR THE INFORMATION CONTAINED HEREIN FOR ANY REASON OTHER THAN AS EXPRESSLY AUTHORIZED BY FIBREBOND CORPORATION IS STRICTLY PROHIBITED. THESE DRAWINGS HAVE BEEN DISTRIBUTED WITH THE UNDERSTANDING THAT ANYONE RECEIVING OR OTHERWISE OBTAINING POSSESSION OF THEM WILL BE EXPRESSLY NOTIFIED OF THEIR CONFIDENTIAL NATURE.

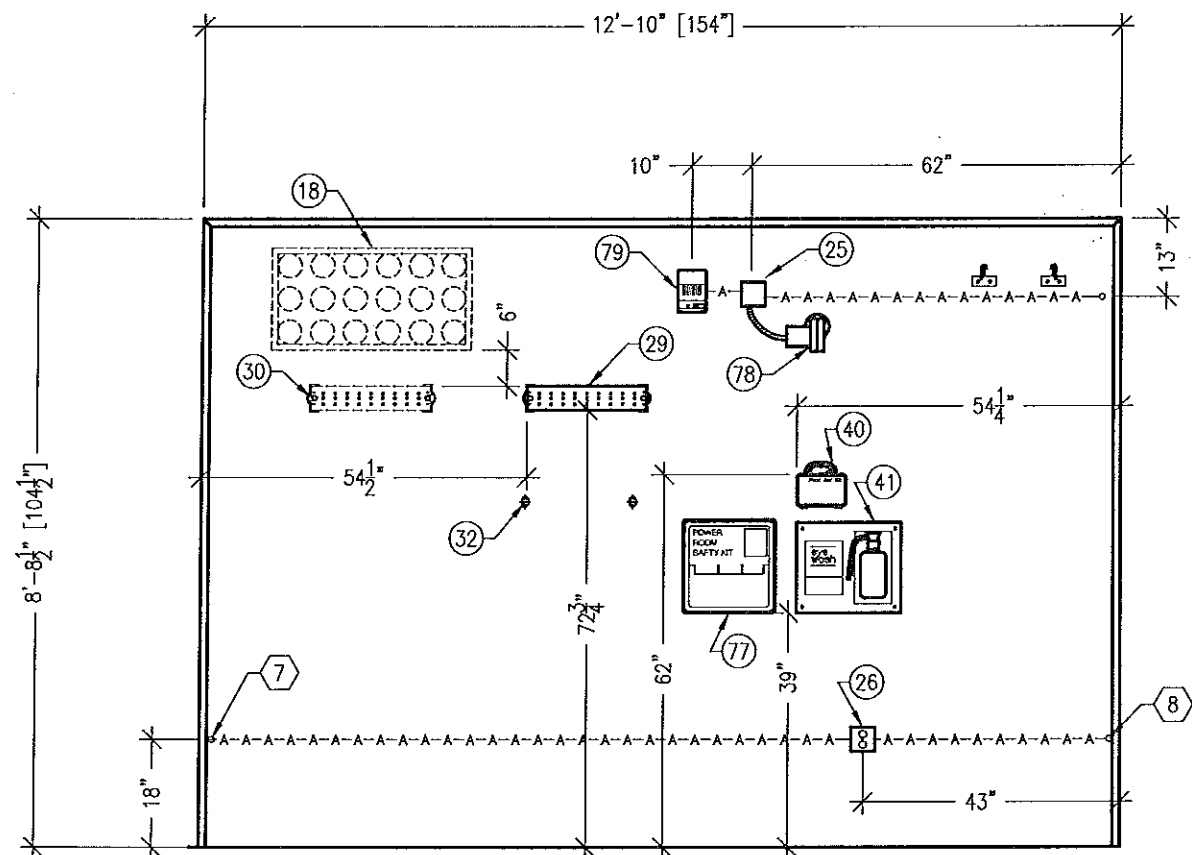
1300 DAVENPORT DRIVE MINDEN, LA. 71055
ph. (800) 824-2614 www.fibrebond.com

GOGO LLC
11'-5" X 14'-0" EQUIPMENT SHELTER
INTERIOR ELEVATIONS A & B

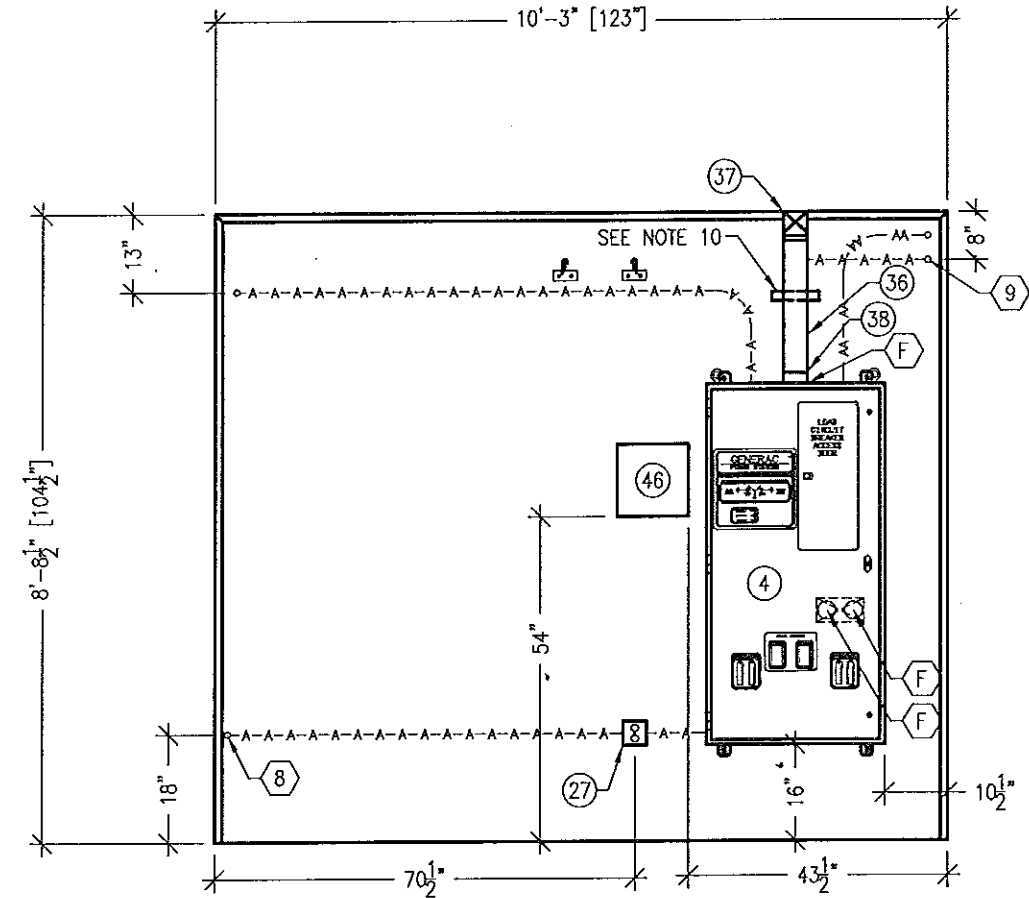
DRW BY: CSP	DATE: 8/19/13	APP BY:	DATE:
CHK BY: DW	DATE: 04/08/11	APP BY: -	DATE: -

FIBREBOND

SCALE: 3/8"=1'-0"	SHEET NO.: 2-2
DWG NO.: B	D-9406



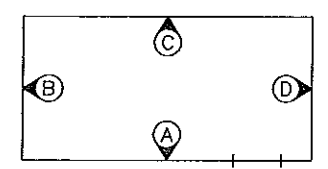
ELEVATION C



ELEVATION D

NOTE:
SEE INTERIOR CEILING VIEW FOR NOTES

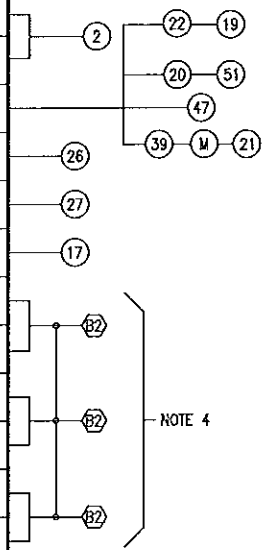
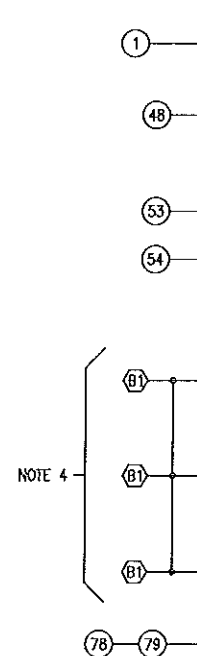
FC-64



ELEVATION KEY

						THESE PLANS ARE THE CONFIDENTIAL PROPERTY AND TRADE SECRETS OF FIBREBOND CORPORATION. ANY USE OF THESE DRAWINGS OR THE INFORMATION CONTAINED HEREIN FOR ANY REASON OTHER THAN AS EXPRESSLY AUTHORIZED BY FIBREBOND CORPORATION IS STRICTLY PROHIBITED. THESE DRAWINGS HAVE BEEN DISTRIBUTED WITH THE UNDERSTANDING THAT ANYONE RECEIVING OR OTHERWISE OBTAINING POSSESSION OF THEM WILL BE EXPRESSLY NOTIFIED OF THEIR CONFIDENTIAL NATURE.		1300 DAVENPORT DRIVE MINDEN, LA. 71055 ph. (800) 824-2614 www.fibrebond.com					
								GOGO LLC				SCALE: 3/8"=1'-0" SHEET NO.: 2-3	
								11'-5" X 14'-0" EQUIPMENT SHELTER				DRAWING NO.: D-9406	
								INTERIOR ELEVATIONS C & D					
REV.	BY	DATE		APP.	DATE	BOW	DATE	DISN. BY: CSP	DATE: 8/19/13	APP. BY:	DATE:		
								CHC. BY: DW	DATE: 04/08/11	APP. BY: -	DATE: -		

LOAD			LOAD PER PHASE (VA)		WIRE COLOR	LOADS CONTINUOUS	LOADS NON-CONTINUOUS	LOADS SUB-PANEL	WIRE SIZE	GROUNDING WIRE SIZE	TRIP	TRIP	GROUNDING WIRE SIZE	WIRE SIZE	LOADS SUB-PANEL	LOADS NON-CONTINUOUS	LOADS CONTINUOUS	WIRE COLOR	LOAD PER PHASE (VA)		LOAD				
DESCRIPTION	QTY.	UNIT V.A.	PHASE																A	B	A	B	UNIT V.A.	QTY.	DESCRIPTION
1	HVAC	1	2764	2764	RED													RED	2764		2764	1	HVAC	2	
3		1	2764		2764	BLK	X		10	(10)	30	30	(10)	10					BLK		2764	2764		1	4
48	5	SMOKE DETECTOR	1	12	12	RED	X					20	-	12				X	RED	325		64/32/15/150	2/1/1/1	INTERIOR LIGHTS, EMERGENCY, & EXTERIOR LIGHT	6
	7	SPARE BREAKER	1			BLK						20	-	12				X	BLK		360	180	2	INTERIOR RECEPTACLES	8
53	9	DUPLEX RECEPTACLE (CAMERA)	1	180	180	RED	X					20	-	12				X	RED	360		180	2	INTERIOR RECEPTACLES	10
54	11	QUAD RECEPTACLE (CEILING)	1	360	360	BLK	X					20	(12)	12				X	BLK		180	180	1	EXTERIOR GFCI RECEPTACLE	12
	13	SPARE BREAKER				RED						20	-	12											
	15	RECTIFIER #1	1	1000	1000	BLK						30	(10)	10				X	RED	1000		1000	1	RECTIFIER #4	14
	17		1	1000	1000	RED	X			10	(10)	30							BLK		1000	1000	1		16
	19	RECTIFIER #2	1	1000	1000	BLK						30	(10)	10				X	RED	1000		1000	1	RECTIFIER #5	18
	21		1	1000	1000	RED	X			10	(10)	30							BLK		1000	1000	1		20
	23	RECTIFIER #3	1	1000	1000	BLK						30	(10)	10				X	RED	1000		1000	1	RECTIFIER #6	22
	25		1	1000	1000	RED	X			10	(10)	30							BLK		1000	1000	1		24
78-79	27	HYDROGEN DETECTOR / VENT FAN	1/1	12/60	72	BLK	X												BLK						26
	29					RED													RED						30
	31					BLK													BLK						32
	33					RED													RED						34
	35					BLK													BLK						36
	37					RED													RED						38
	39					BLK													BLK						40
	41					RED													RED						42
SUBTOTAL CONTINUOUS				3192	3432													3685	3540	SUBTOTAL CONTINUOUS	TOTAL KVA CONTINUOUS x 1.25	17.3			
SUBTOTAL NON-CONTINUOUS				2764	2764													2764	2764	SUBTOTAL NON-CONTINUOUS	TOTAL KVA NON-CONTINUOUS	11.1			
SUBTOTAL SUB-PANEL				-	-													-	-	SUBTOTAL SUB-PANEL	TOTAL KVA SUB-PANEL	-			



NOTES:

- ALL WIRE TO BE #12 THHN/THWN UNLESS NOTED OTHERWISE.
COLOR CODE:
• AØ = BLACK
• BØ = RED
• NEUTRAL = WHITE
• GROUND = GREEN
- ALL WORK TO CONFORM TO N.E.C. LATEST STATE ADOPTED EDITION.
- SWITCH LEG CONDUCTORS SHALL BE THE SAME COLOR AS CIRCUIT CONDUCTORS.
- RECTIFIERS ROUTE THROUGH WIREWAY AND SEALTIGHT NEAR 'C' WALL. DROPS WILL BE TERMINATED INTO DC POWER PLANT BY INSTALL CENTER. COIL AND TAG 3' OF WIRE BEYOND. 45° CONNECTOR AT WIREWAY. TIE WRAP A STRAIGHT CONNECTOR ON WIRE COIL.
- SEE ELECTRICAL SCHEMATIC #2 SHEET FOR MORE DETAILS.
- EQUIPMENT TERMINATION LUGS AND CONDUCTORS ARE RATED AT A MINIMUM OF 75°C.

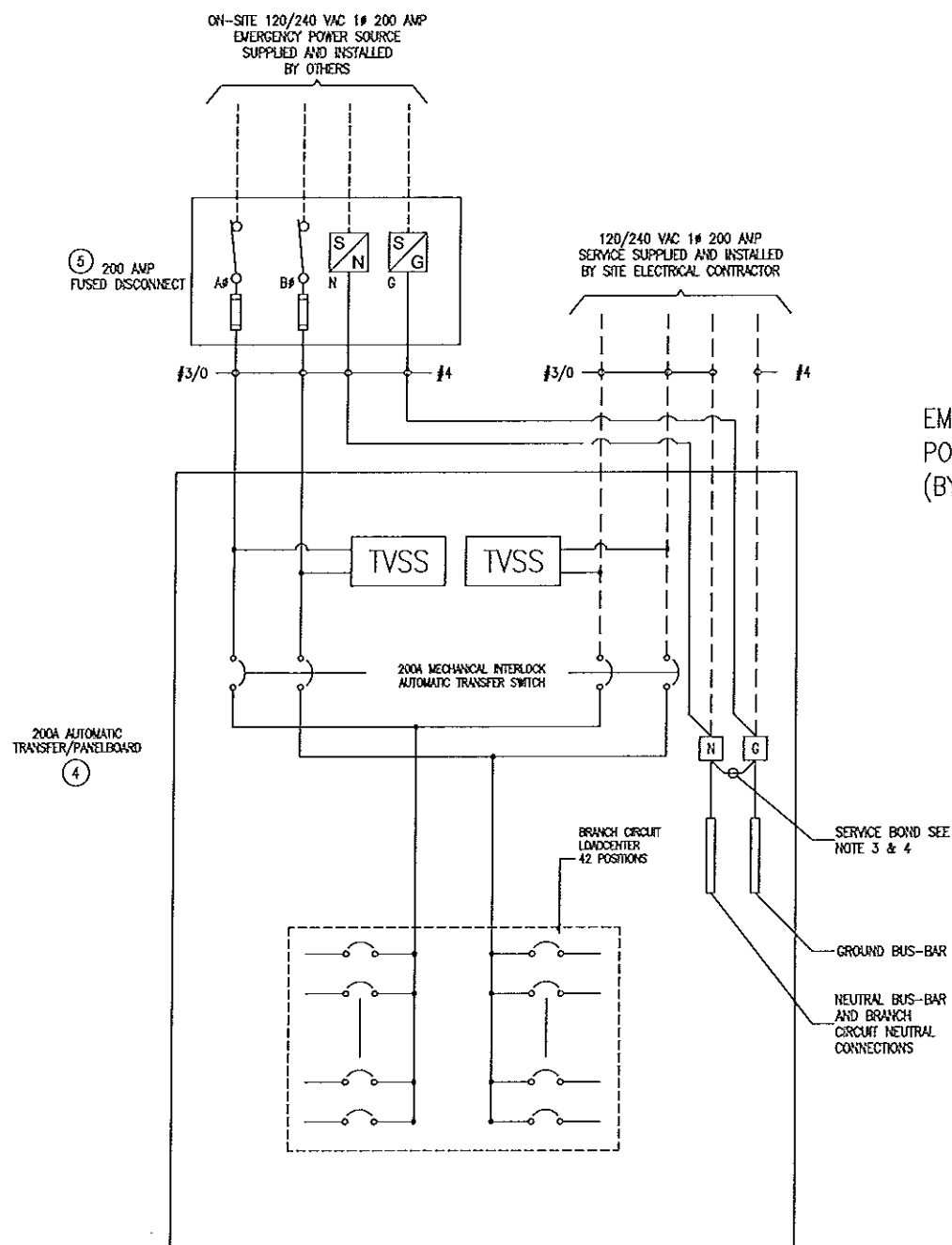
KEY:
Ⓜ - MOTION DETECTOR

PANEL DESIGNATION: ELECTRICAL PANEL (ITEM 4)									
MAIN LUGS: N/A	MAIN BREAKER: 200 AMP	MAIN BREAKER A.I.C RATING: 25,000 A.I.C	BRANCH BREAKER A.I.C RATING: 10,000 A.I.C	BREAKERS: SIMONS BOLT-ON					
VOLTAGE: 120/240	CYCLE: 60	PHASE: 1	WIRES: 3	MAIN COPPER BUS: 200 AMPS	NEUTRAL: 200 AMPS				

REV.	BY	DATE	REVISION	APP.	DATE	BOM	DATE

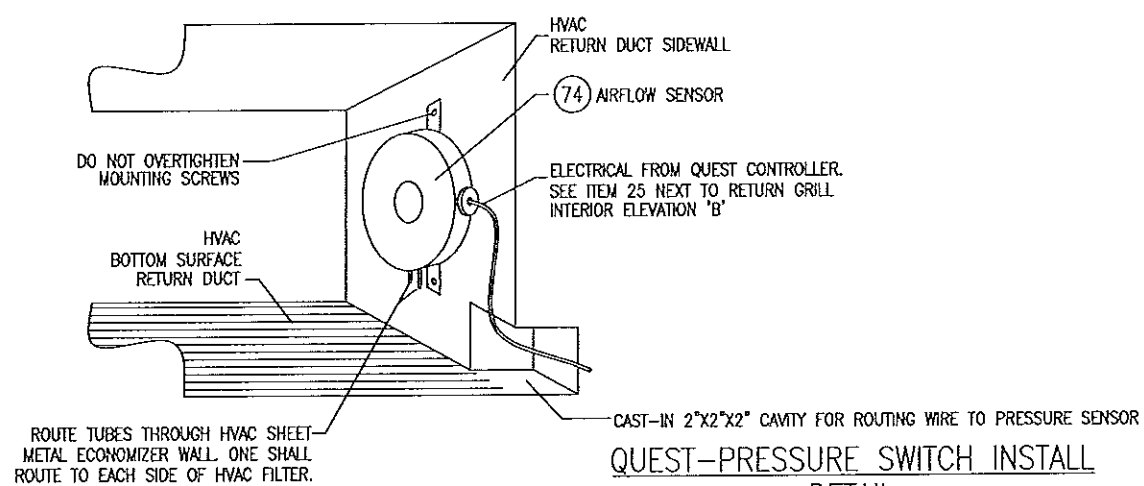
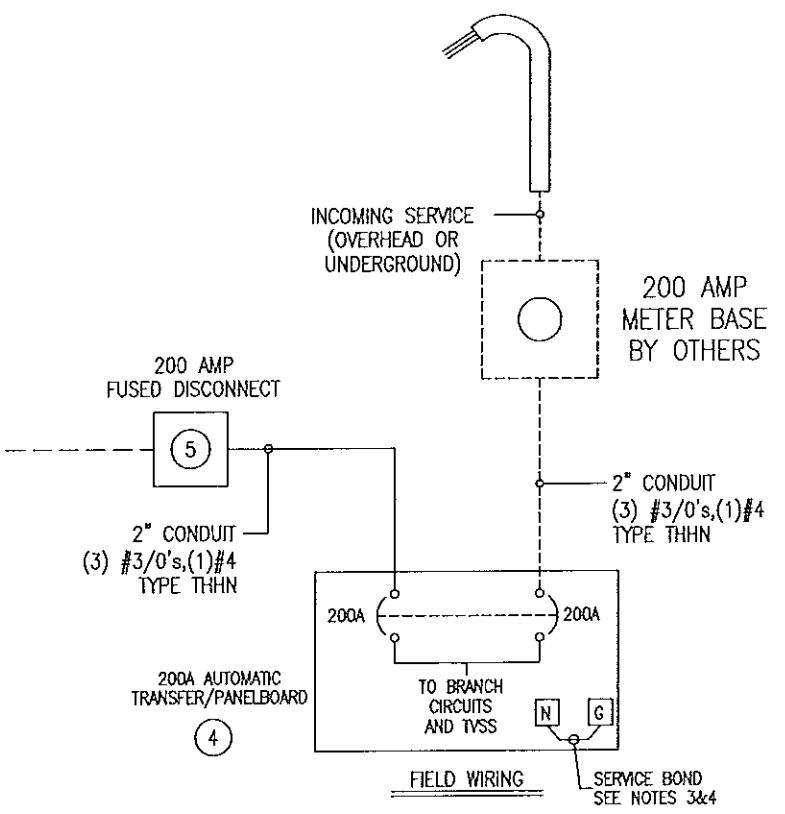
THESE PLANS ARE THE CONFIDENTIAL PROPERTY AND TRADE SECRETS OF FIBREBOND CORPORATION. ANY USE OF THESE DRAWINGS OR THE INFORMATION CONTAINED HEREIN FOR ANY REASON OTHER THAN AS EXPRESSLY AUTHORIZED BY FIBREBOND CORPORATION IS STRICTLY PROHIBITED. THESE DRAWINGS HAVE BEEN DISTRIBUTED WITH THE UNDERSTANDING THAT ANYONE RECEIVING OR OTHERWISE OBTAINING POSSESSION OF THEM WILL BE EXPRESSLY NOTIFIED OF THEIR CONFIDENTIAL NATURE.		1300 DAVENPORT DRIVE MINDEN, LA. 71055 ph. (800) 824-2614 www.fibrebond.com	
GOGO LLC 11'-5" X 14'-0" EQUIPMENT SHELTER ELECTRICAL SCHEMATIC #1			
DESIGNED BY: CSP DATE: 8/19/13	APP. BY: [Signature] DATE:	SCALE: NONE	SHEET NO.: 3-1
CHECKED BY: [Signature] DATE:	APP. BY: [Signature] DATE:	DWG NO.: D-9406	B

FC-64



EMERGENCY POWER #2 (BY OTHERS)

2" CONDUIT 3 #3/0's, 1 #4 TYPE THHN

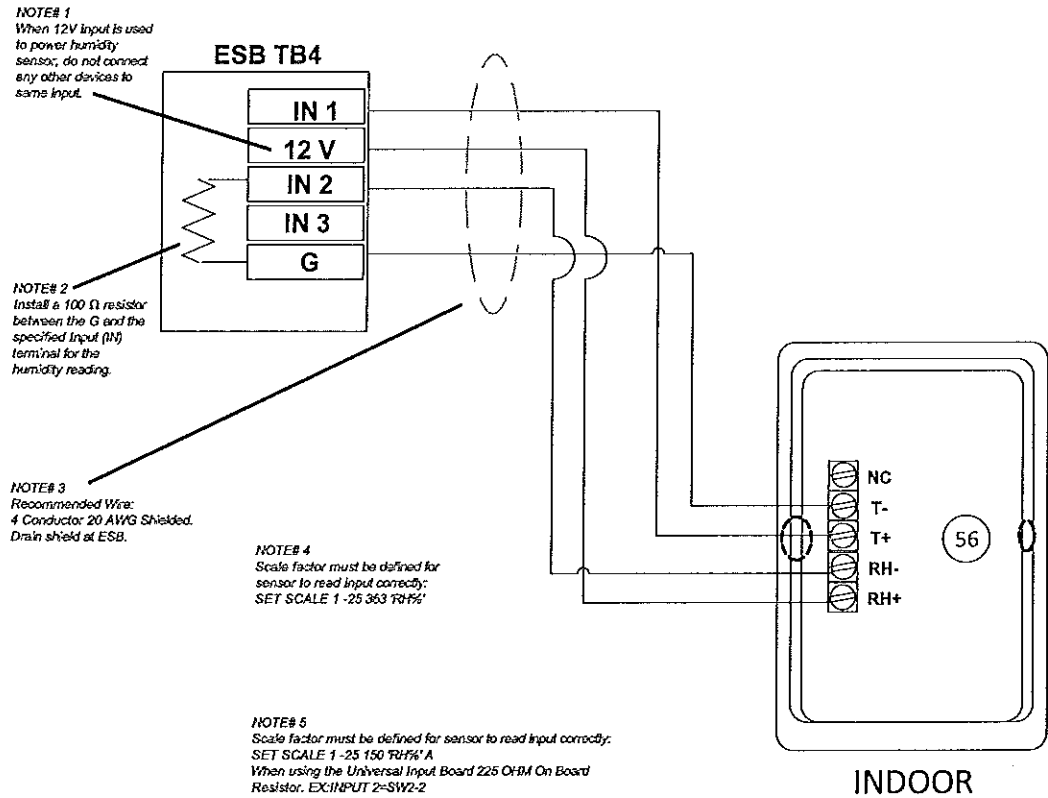


SEE INSTALLATION INSTRUCTIONS FROM QUEST. ***NOTE: VIEW SHOWN INSIDE RETURN AIR OPENING WITH GRILL REMOVED.

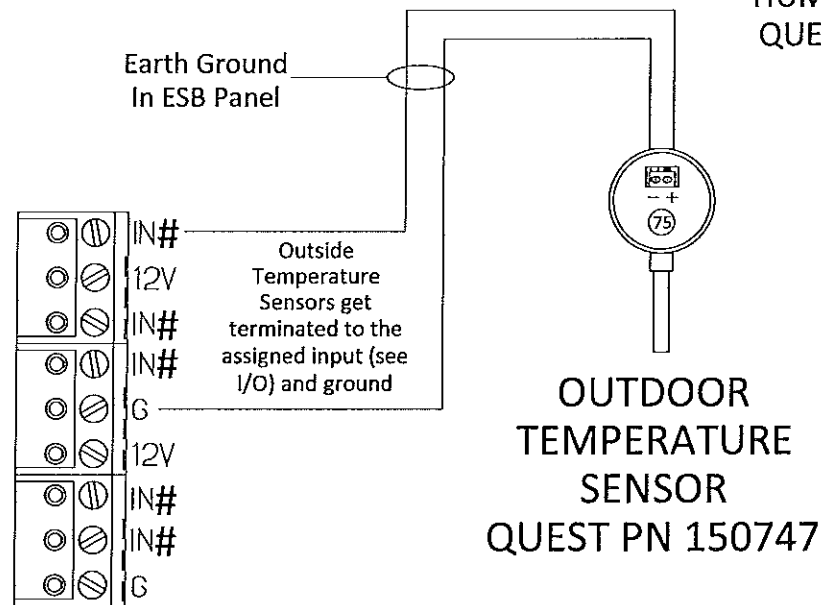
- NOTES:
1. ----- DASHED LINES DENOTE FIELD WORK
 2. BUILDING ELECTRICAL SYSTEM IS RATED AT 10,000 A.I.C. IF HIGHER RATINGS ARE REQUIRED, IT IS THE RESPONSIBILITY OF SITE CONTRACTOR/ENGINEER TO MEET SUCH REQUIREMENTS.
 3. SERVICE BOND IS TO BE MADE BY DEVICES (STRAPS, SCREWS, ETC.) SUPPLIED BY EQUIPMENT MANUFACTURER. IF NO SUCH DEVICE IS SUPPLIED, BOND IS TO BE MADE IN ACCORDANCE WITH NEC ARTICLE 250.
 4. WHEN SERVICE OVERCURRENT DISCONNECT IS FIELD INSTALLED AND HAS A NEUTRAL TO GROUND CONNECTION ESTABLISHED, REMOVE NEUTRAL TO GROUND CONNECTION IN TRANSFER SWITCH.
 5. CONDUCTOR OVERCURRENT PROTECTION DEVICES ARE SELECTED IN ACCORDANCE WITH NEC (ARTICLE 240.3).
 6. CONDUCTOR SIZING IS SELECTED FROM NEC (ARTICLE 215.2).
 7. ALL LUGS THAT HOLD MORE THAN ONE WIRE SHALL BE LISTED FOR MULTI-BARRELL CONNECTIONS.
 8. ALL CONDUCTORS SHALL BE COPPER.
 9. LABEL SERVICE DISCONNECT WITH A RED TAG.
 10. EQUIPMENT TERMINATION LUGS & CONDUCTORS ARE RATED AT A MINIMUM OF 75° C.
 11. RECOMMENDED SERVICE ENTRANCE CONDUCTOR SIZE: (3) 3/0 AWG & (1) #4 GROUND.

FC-64

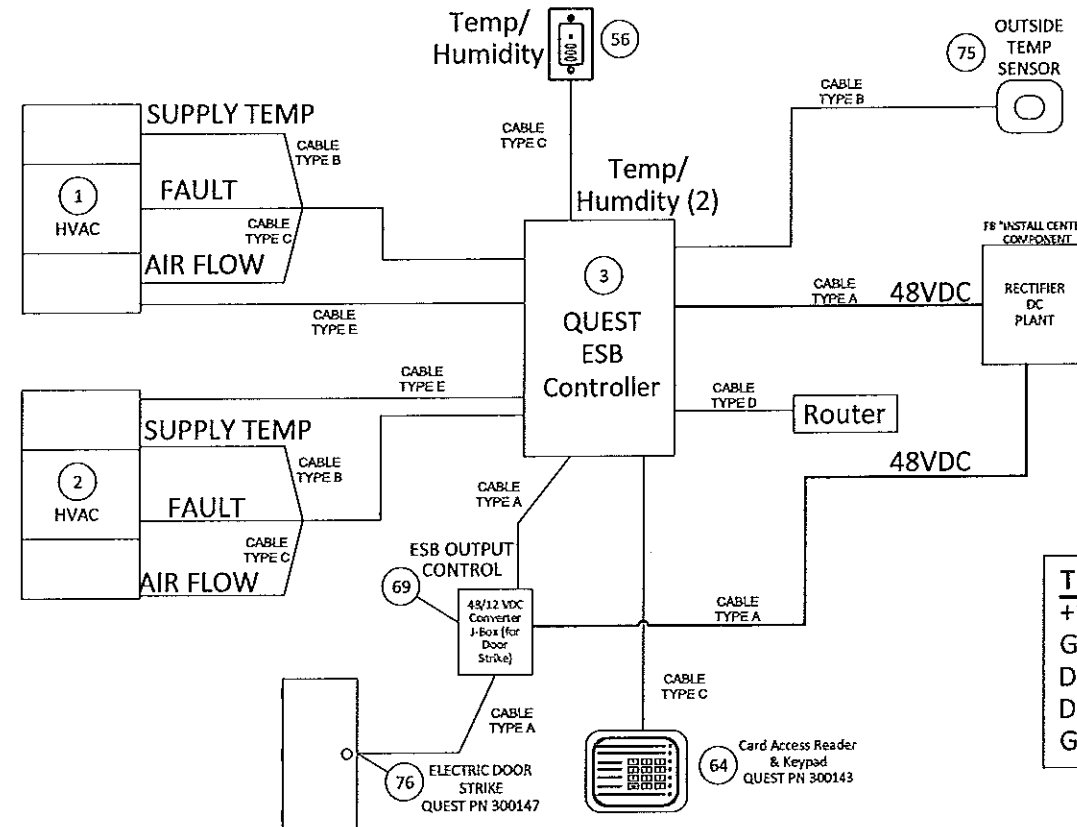
THESE PLANS ARE THE CONFIDENTIAL PROPERTY AND TRADE SECRETS OF FIBREBOND CORPORATION. ANY USE OF THESE DRAWINGS OR THE INFORMATION CONTAINED HEREIN FOR ANY REASON OTHER THAN AS EXPRESSLY AUTHORIZED BY FIBREBOND CORPORATION IS STRICTLY PROHIBITED. THESE DRAWINGS HAVE BEEN DISTRIBUTED WITH THE UNDERSTANDING THAT ANYONE RECEIVING OR OTHERWISE OBTAINING POSSESSION OF THEM WILL BE EXPRESSLY NOTIFIED OF THEIR CONFIDENTIAL NATURE.						1300 DAVENPORT DRIVE MINDEN, LA. 71055 ph. (800) 824-2614 www.fibrebond.com							
						GOGO LLC							
						11'-5" X 14'-0" EQUIPMENT SHELTER							
						ELECTRICAL SCHEMATIC #2							
REV.	BY	DATE	REVISION	APP.	DATE	BOM	DATE	DRN. BY: CSP	DATE: 8/19/13	APP. BY:	DATE:	SCALE: NONE	SHEET NO.: 3-2
								CHK. BY:	DATE:	APP. BY: --	DATE: --	B	DWG NO.: D-9406



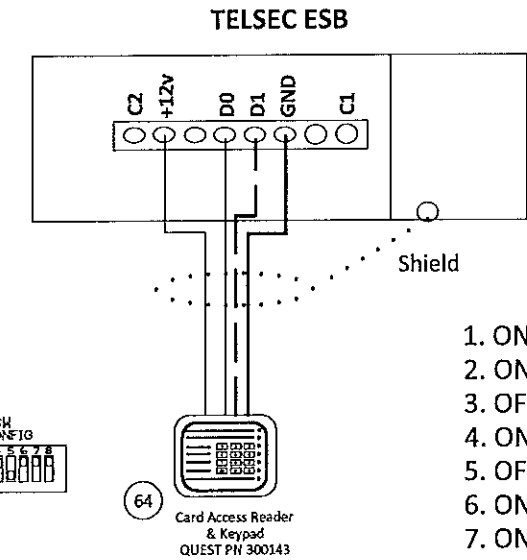
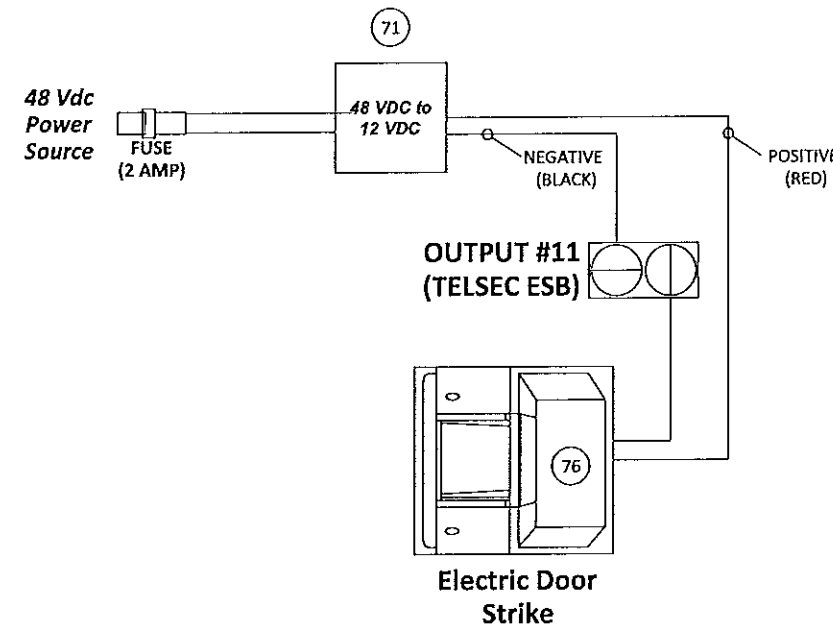
INDOOR TEMPERATURE AND HUMIDITY SENSOR QUEST PN 150749



- NOTES:**
1. WHEN 12V IS USED TO POWER THE HUMIDITY SENSOR, DO NOT USE THAT 12V FOR ANY OTHER INPUT
 2. INSTALL A 100 OHM RESISTOR BETWEEN THE HUMIDITY INPUT (IN) AND GROUND (G)
 3. TEMPERATURE/HUMIDITY AND ZONE SENSORS SHOULD BE MOUNTED AWAY FROM HVAC DUCTS, EXTERIOR DOORS, AND OTHER SOURCES OF HEAT/COLD. MOUNT AT APPROXIMATELY EYE LEVEL
 4. WIRE MUST BE SHIELDED WITH SHIELDS TERMINATED TO EARTHGROUND AT ESB END ONLY, AT SENSOR CUT OFF AND TAPE BACK SHIELD
 5. SEE LEAD/LAG WIRING DIAGRAM FOR DETAILS REGARDING QUEST SET-UP.



TELSEC ESB	WIRE COLOR	CARD READER
+12V	RED	+DC (RED)
GND	BLACK	GROUND (BLACK)
D0	GREEN	DATA-0 (GREEN)
D1	WHITE	DATA-1 (WHITE)
GND	SHIELD	N/C



1. ON (Hardware Ident)
2. ON (Tone Beeper)
3. OFF (Green LED)
4. ON (Keypad Operation)
5. OFF (Dual LED)
6. ON (Output Biasing)
7. ON (Output Biasing)
8. ON (Not Used)

- NOTES:**
1. DO NOT USE GREEN FOR GROUND!!! CARD READER WILL BE RUINED!!!
 2. DISCONNECT POWER TO TELSEC PRIOR TO CONNECTION.
 3. TERMINATE WIRES ON KEYPAD PRIOR TO TERMINATING AT THE TELSEC.
 4. USE 4 CONDUCTOR 20 AWG SHIELDED CABLE. CUT AND INSULATE DRAIN WIRE AT READER. GROUND DRAIN WIRE AT CONTROLLER ONLY.

REV.	BY	DATE	REVISION	APP.	DATE	BOW	DATE

THESE PLANS ARE THE CONFIDENTIAL PROPERTY AND TRADE SECRETS OF FIBREBOND CORPORATION. ANY USE OF THESE DRAWINGS OR THE INFORMATION CONTAINED HEREIN FOR ANY REASON OTHER THAN AS EXPRESSLY AUTHORIZED BY FIBREBOND CORPORATION IS STRICTLY PROHIBITED. THESE DRAWINGS HAVE BEEN DISTRIBUTED WITH THE UNDERSTANDING THAT ANYONE RECEIVING OR OTHERWISE OBTAINING POSSESSION OF THEM WILL BE EXPRESSLY NOTICED OF THEIR CONFIDENTIAL NATURE.

1300 DAVENPORT DRIVE MINDEN, LA. 71055
ph. (800) 824-2614 www.fibrebond.com

GOGO LLC

11'-5" X 14'-0" EQUIPMENT SHELTER

QUEST WIRING DIAGRAMS

SCALE: NONE SHEET NO.: 3-3

DRN. BY: CSP DATE: 8/19/13 APP. BY: DATE: -

CHK. BY: DATE: - APP. BY: DATE: -

DWG NO.: **D-9406**

**Quest ESB Controller Board I/O UIN 1-16
Universal Inputs**

**QUEST CONTROLS - WIRE MATRIX
Description**

Cable Part Number

Usage

1	BLDTEMP1 (IN1/G)	IN1
		12V
2	BLDHUMD1(IN2/12V)	IN2
3	SPARE	IN3
		G
		12V
4	OUTSIDE TEMP	IN4
5	SPARE	IN5
		G
		12V
6	HVAC TEMP1	IN6
7	HVAC PRESSURE1	IN7
		G
		12V
8	HVAC FAIL1	IN8
9	HVAC TEMP2	IN9
		G
		12V
10	HVAC PRESSURE2	IN10
11	HVAC FAIL2	IN11
		G
		12V
12	SPARE	IN12
13	SPARE	IN13
		G
		12V
14	SPARE	IN14
15	SPARE	IN15
		12V
16	SPARE	IN16

A	Cable, 2 Cond, 18 AWG, Unshielded, Stranded, RED/BLACK	836-00079 (Belden 6300UE or comparable)	Power Supply to ESB, Power Supply to Universal Input Boards
B	Cable, 2 Cond, 22 AWG, Shld, Solid (RED, BLACK)	836-00066	Zone Sensor, Intrusion Contact(s), TVSS alarm, HVAC alarm, ATS, Phase Loss Alarm, Supply Temperature
C	Cable, 4 Cond, 20 AWG, Shld, Strnd (RED, BLACK, WHITE, GREEN)	836-00080 (Belden 6402FE or comparable)	Zone Temperature and Humidity Sensor, Universal Input Board Bus, Generator Card Bus/Power, RTU Controller Bus, Quest UPS on Battery, Quest UPS Low Bat (300V)
D	Cable, Cat5e, 4 Pair, 24 AWG, Unshld, Solid	836-00081 (Belden 1700A or comparable)	ESB to Router/Switch
E	Cable, 6 Cond, 18 AWG, Unshld, Solid, T-Stat	836-00028 (Coleman 55308 or comparable)	HVAC Monitoring Module

Follow these steps to correct the HVAC relays & site access on all ESB units:

LOG INTO THE ESB per email login & password information

The following code lines should be entered:

DEFINE AC1EXHST = RLY.5 OFF STAGED ENERSON LOG Press <ENTER>

DEFINE AC2EXHST = RLY.10 OFF STAGED ENERSON LOG Press <ENTER>

SET PRO DEF Press <ENTER>

rem card 4660 dor.1 Press <ENTER>

SET ACCESS 1 1 1 8 9 24 26 Press <ENTER>

DEFINE CARD 4688 DOR.1 "guest" Press <ENTER>

SET PRO DEF Press <ENTER>

HANGUP ENERGOFF ENERGOFF<ENTER>

The ESB will turn off then on (Cold-start)

Log back into the ESB (if necessary)


Type LIST ACCESS Press <ENTER>

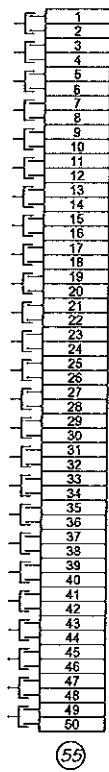
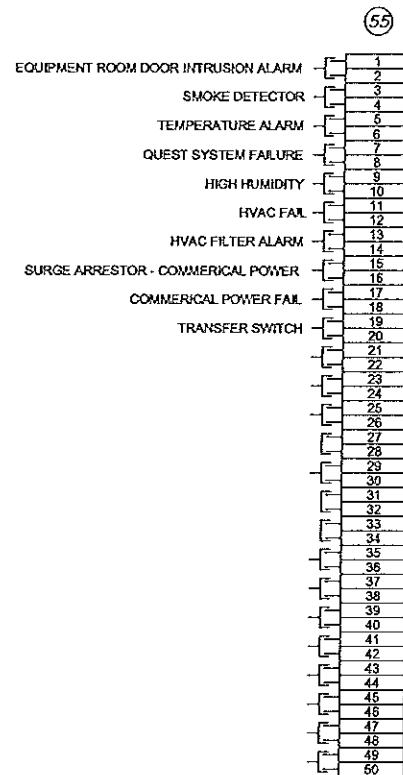
Display should read: SET ACCESS 1 1 1 8 9 24 26

TYPE 011250 ON THE DOOR KEYPAD

THE DOOR SHOULD OPEN

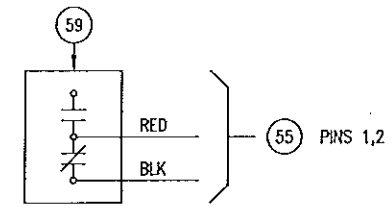
FC-64

						THESE PLANS ARE THE CONFIDENTIAL PROPERTY AND TRADE SECRETS OF FIBREBOND CORPORATION. ANY USE OF THESE DRAWINGS OR THE INFORMATION CONTAINED HEREIN FOR ANY REASON OTHER THAN AS EXPRESSLY AUTHORIZED BY FIBREBOND CORPORATION IS STRICTLY PROHIBITED. THESE DRAWINGS HAVE BEEN DISTRIBUTED WITH THE UNDERSTANDING THAT ANYONE RECEIVING OR OTHERWISE OBTAINING POSSESSION OF THEM WILL BE EXPRESSLY NOTIFIED OF THEIR CONFIDENTIAL NATURE.		1300 DAVENPORT DRIVE MINDEN, LA 71055 ph. (800) 824-2614 www.fibrebond.com		 FIBREBOND			
						GOGO LLC 11'-5" X 14'-0" EQUIPMENT SHELTER QUEST WIRING DIAGRAMS #2		SCALE: NONE SHEET NO: 3-4					
REV.	BY	DATE	REVISION	APP.	DATE	BOM	DATE	CHK BY:	DATE:	APP. BY:	DATE:	B	DWG NO: D-9406



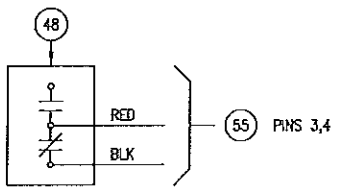
**MAGNETIC DOOR ALARM
EQUIPMENT DOOR**

THE MAGNETIC DOOR ALARMS ARE WIRED NORMALLY OPEN. CONTACTS CLOSE UPON DOOR CLOSURE. WHEN DOOR IS OPENED, CONTACTS OPEN SENDING AN ALARM.



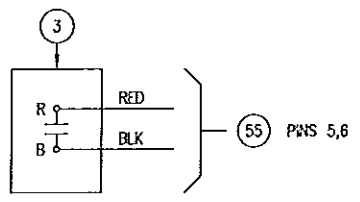
SMOKE DETECTOR

THE SMOKE ALARM CONTACTS ARE NORMALLY CLOSED UNDER A "NO SMOKE" CONDITION. WHEN SMOKE IS DETECTED THESE CONTACTS OPEN SENDING AN ALARM.



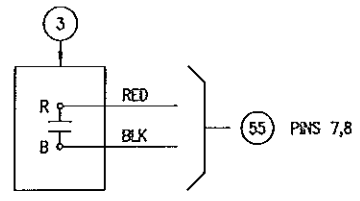
TEMPERATURE ALARM

CONTACT CLOSSES UPON TEMPERATURE MEASURED OUTSIDE THE CONTROLLER DEFINED RANGE, SENDING AN ALARM. SEE NOTE 4.



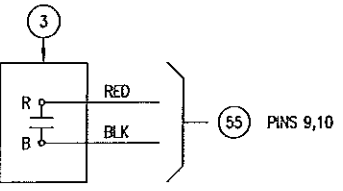
QUEST SYSTEM FAILURE

CONTACT CLOSSES WHEN QUEST ESB CONTROLLER NOTICES PROBLEM, SENDING AN ALARM. SEE NOTE 4.



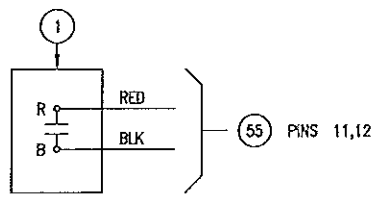
HIGH HUMIDITY ALARM

CONTACT CLOSSES UPON HUMIDITY INCREASE (OR RISE) ABOVE THE SET POINT SENDING AN ALARM. SEE NOTE 4.



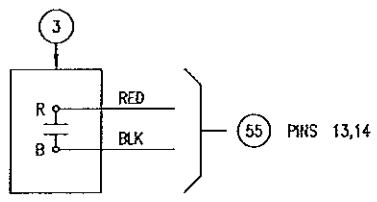
HVAC FAIL

WHEN HIGH PRESSURE OR LOW PRESSURE SWITCHES ACTIVATE THE LOCK OUT RELAY, THE ALARM CONTACTS WILL OPEN SENDING AN ALARM. SEE NOTE 4.



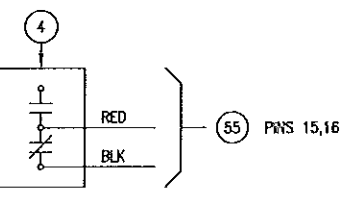
HVAC FILTER ALARM

WHEN HIGH PRESSURE OR LOW PRESSURE SWITCHES ACTIVATE THE LOCK OUT RELAY, THE ALARM CONTACTS WILL OPEN SENDING AN ALARM. SEE NOTE 4.



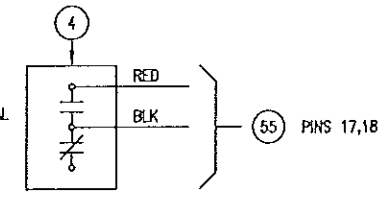
**SURGE ARRESTOR ALARM
COMMERCIAL POWER**

FOR SURGE ARRESTOR ALARM, CONNECT TO TSS ALARM CONTACT TERMINAL BLOCK. WIRE TO NORMALLY CLOSED CONTACTS. NORMALLY CLOSED CONTACTS WILL OPEN IF ELEMENTS ARE BLOWN OR IF A.C. POWER FAILS SENDING AN ALARM.



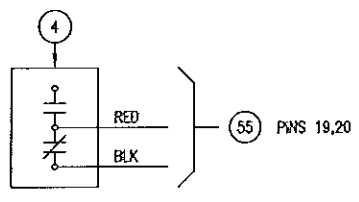
COMMERCIAL POWER FAIL

THE COMMERCIAL POWER FAIL RELAY IS CONNECTED TO EACH PHASE OF THE IN-COMING COMMERCIAL POWER. COMMERCIAL POWER IS THE POWER SUPPLIED BY THE UTILITY COMPANY. THE NORMALLY OPEN CONTACTS CLOSE UPON POWER UP OF THE BUILDING. CONTACTS OPEN UPON LOSS OF COMMERCIAL POWER SENDING AN ALARM. (THIS ALARM MUST NOT BE CONNECTED TO THE SYSTEM SUCH THAT IT RECEIVES POWER FROM A GENERATOR, UPS SYSTEM, OR ANY OTHER EMERGENCY POWER SOURCE.)



TRANSFER SWITCH ALARM

THE TRANSFER SWITCH ALARM CONTACTS ARE NORMALLY CLOSED. WHEN THE SWITCH GEAR ACTIVATES AND SWITCHES TO THE EMERGENCY POWER POSITION CONTACTS OPEN SENDING AN ALARM.



- NOTES:**
- ALL ALARMS OPEN ON ALARM UNLESS OTHERWISE NOTED.
 - ALARM WIRES TO BE STRANDED 22/2 WIRE UNLESS OTHERWISE SPECIFIED.
 - N.C.=BLK
 - C.=RED
 - INSTALL ALARM WIRING ON LEFT SIDE OF ALARM BLOCK.
 - SEE HVAC LEAD/LAG ELECTRICAL WIRING DIAGRAM.

REFERENCE DRAWINGS REQUIRED TO COMPLETE THIS SHEET	
DRAWING NO.	DESCRIPTION
ELEC-0055	BARD STD UNIT WITH QUEST ESB CONTROLLER

FC-64

REV.	BY	DATE	REVISION	APP.	DATE	BOM	DATE

THESE PLANS ARE THE CONFIDENTIAL PROPERTY AND TRADE SECRETS OF FIBREBOND CORPORATION. ANY USE OF THESE DRAWINGS OR THE INFORMATION CONTAINED HEREIN FOR ANY REASON OTHER THAN AS EXPRESSLY AUTHORIZED BY FIBREBOND CORPORATION IS STRICTLY PROHIBITED. THESE DRAWINGS HAVE BEEN DISTRIBUTED WITH THE UNDERSTANDING THAT ANYONE RECEIVING OR OTHERWISE OBTAINING POSSESSION OF THEM WILL BE EXPRESSLY NOTIFIED OF THEIR CONFIDENTIAL NATURE.

1300 DAVENPORT DRIVE MINDEN, LA. 71055
ph. (800) 824-2614 www.fibrebond.com

GOGO LLC

11'-5" X 14'-0" EQUIPMENT SHELTER

ALARM WIRING

SCALE: NONE SHEET NO.: 4

DRN: CSP DATE: 8/19/13 APP. BY: DATE: -
CHK: DATE: APP. BY: DATE: -

FIBREBOND

DWG NO.: D-9406

ITEM LIST

ITEM NO.	FIBREBOND PART NO.	MANUFACTURER PART NO.	MANUFACTURER	DESCRIPTION
1.	837-00341	W24A1-A05SPX00J	BARO	HVAC, 2 TON, SINGLE PHASE, SKW W/ PARTIAL FULL FLOW 75%, W/ ECONOMIZERS
2.	837-00341	W24A1-A05SPX00J	BARO	HVAC, 2 TON, SINGLE PHASE, SKW W/ PARTIAL FULL FLOW 75%, W/ ECONOMIZERS
3.	900-70044	FSB	QUEST	QUEST CONTROLS ES8 CONTROLLER (LEAD/LAG THERMOSTAT)
4.	900-70021	0048760	GENERAC	GENERAC INTEGRATED LOADCENTER, 200 AMP, 600 VAC CUSTOMER SUPPLIED
5.	824-22186	D224NRB	SQUARE D	DISCONNECT SQUARE D 200AMP FUSED 120/240V 1PH EXTERIOR
6.	822-10200/841-24341	-	-	ENCLOSURE, UNITY (USA) 12"x12"x6" (RAINPROOF)/KEY STORAGE, WALL MOUNT
7.	-	-	-	DOOR, 3670 18 GA. GALVANIZED, WITH 161 PREP POLYSTYRENE INSULATION, 1.5 HOUR FIRE RATED UL LISTED
8.	847-00001	-	-	CLOSER, STD GRADE #3 90 DEGREE HOLD OPEN
9.	847-11073	TA2314NRP260	McKINNEY	DOOR HINGES
10.	-	-	-	-
11.	847-00227	-	-	LOCKGUARD, HAGER WITH LOCK CUT OUT 3"x11" 3410
12.	847-24407	93K7-AB-15C-S3-626	BEST	LOCK, BEST CYLINDER / LEVER ENTRANCE LESS CORE
13.	841-23025	-	-	DESK, WALL MOUNT FOLD-UP SHOP
14.	847-12347	198N-42	NATIONAL GUARD	DOOR SWEEP, 42"
15.	847-11802	164D-48	NATIONAL GUARD	DRP STRP, 48"
16.	-	-	-	-
17.	827-00085/822-13765/822-10365	-	HUBBELL	RECEPTACLE, 20AMP GFCI/RECEPTACLE, COVER/2" x 4" W.P.J.B. & WEATHER-RESISTANT PER NEC 406.8/OHIO NJ.
18.	818-00039	HL61333TWP	HARGER	WAVEGUIDE, 4" 18 PORT WITH PVC CAPS THEN WALL PORT (USA)
19.	831-00093/831-00094	207	TEXAS FLUORESCENTS	FIXTURE, INTERIOR LIGHT, 32W, W/A 2 BULB TB 4" WITH LENS
20.	827-00086/822-10580/822-10150	-	HUBBELL	SWITCH 20AMP 120V TOGGLE W/ 2 SWITCH COVER IN 4X4 JUNCTION BOX
21.	831-23605/831-00111	-	-	FIXTURE, 150W EXT. W/MOTION DETECTOR / SWITCH 20AMP 120V 1P AC TOGGLE BACK W/RED CS81201
22.	827-00086	CS81201	HUBBELL	SWITCH 20AMP 120V SINGLE POLE AC TOGGLE
23.	-	-	-	-
24.	847-12747	8720	BEST	DOOR PEEP 210 DEGREE
25.	822-10150	4SDXK	APPLETON	4" x 4" J.B. (1/2" & 3/4" KNOCKOUT)
26.	827-00071/822-10583/827-10150	-	COOPER	20AMP DUPLEX RECEPTACLE / 4" x 4" J.B.
27.	827-00071/822-10583/827-10150	-	COOPER	20AMP DUPLEX RECEPTACLE / 4" x 4" J.B.
28.	830-00087	-	-	COPPER BAR 1/4"x4"x12" (TELCO)
29.	194341	-	-	COPPER GROUND BAR, 1/4"x4"x20" 1" PATTERN (MASTER)
30.	194341	-	-	COPPER GROUND BAR, 1/4"x4"x20" 1" PATTERN (INTERIOR)
31.	197615	-	-	TINNED COPPER GROUND BAR, 1/4"x4"x20" 1" PATTERN (EXTERIOR)
32.	-	1" PVC	BARTLET	1" SCHEDULE 40 PVC CAST @ 45°
33.	841-13867	63202	DEFLECTO	LETTER TRAY
34.	-	-	-	-
35.	822-00031/822-00031/822-00031/822-10141	-	-	2-GANG EXTENDER RING / 2-GANG EXTENDER RING / 2 GANG EXTENDER RING / 4" BLANK COVER
36.	821-10527	-	-	WIREWAY, UNITY (USA) 4"x4"x10" GALV BK
37.	821-12121	-	-	ELBOW, UNITY (USA) 4"x4" 90 DEGREE WIREWAY
38.	821-10546	-	-	ENDCAP, UNITY (USA) 4" GALVANIZED UNIVERSAL
39.	827-00086/822-11860/822-10150	-	HUBBELL	SWITCH 20AMP 120V TOGGLE W/ SINGLE SWITCH COVER IN 4X4 JUNCTION BOX
40.	841-00180	-	-	KIT, GENUINE FIRST AID 10 PERSON FA-10P
41.	841-20426	1KW78	GRANGER	EYE WASH STATION, 1qt. BOTTLE
42.	-	-	-	4" TELCO ENTRY
43.	841-00204	-	-	24" X 24" DOOR SIGN
44.	822-13795	-	-	ENCLOSURE, 20"x20"x8" HOFFMAN NEMA3
45.	849-11320	-	-	EXTINGUISHER, 10# ABC DRY CHEM
46.	195872	-	-	PLATE, 12"x12" BLANK ALUMINUM
47.	831-00077	-	-	FIXTURE, EMERGENCY 2-HEAD LIGHT TCP 20760
48.	848-10128	-	GENTEX	DETECTOR, CENTEX PHOTOELECTRIC (USA)
49.	822-21981/820-11836/822-13401	-	-	BOX, 4"WPJB W/3/4" REDUCER, 3/4"x1/2" COVER, 4"x4" WP BLANK
50.	822-21981/822-13401	-	-	BOX, 4"WPJB W/3/4" COVER, 4"x4" WP BLANK

NOTE:

ITEMS ARE SUBJECT TO CHANGE DUE TO AVAILABILITY AND EQUAL SUBSTITUTES WILL BE USED. ELECTRICAL OR MECHANICAL REQUIREMENTS MAY CHANGE DUE TO MANUFACTURERS SPECIFICATIONS.

ITEM LIST


ITEM NO.	FIBREBOND PART NO.	MANUFACTURER PART NO.	MANUFACTURER	DESCRIPTION
51.	831-00119	201A132MVN	TEXAS FLUORESCENTS	FIXTURE, CORRIDOR WRAP-AROUND SURFACE MOUNT TB
52.	-	-	-	-
53.	827-00071/822-10583/827-10150	-	COOPER	20AMP DUPLEX RECEPTACLE / 4" x 4" J.B.
54.	827-00071/822-10583/827-10150	-	COOPER	20AMP QUADPLEX RECEPTACLE / 4" x 4" J.B.
55.	835-23135/835-23747	-	-	ALARM BLOCK W/ BRACKET, 66" STAND-OFF
56.	-	-	-	QUEST CONTROLS TEMP / HUMIDITY SENSOR 150749 (SHIPS WITH 900-70044 CONTROLLER); 2"x4" JBOX
57.	813-00080	-	-	BOARD, TELCO 3/4" X 48" X 38" RUPOLY WDF W/CAP TRM
58.	830-21728	-	-	BRACKET, 5" AUXILIARY CABLE HANGER
59.	-	-	-	MAGNETIC DOOR ALARM
60.	822-00130/819-20170	-	-	CONDULET, 1/2" SLB-50 & 1/2" NON-METALLIC SEALTIGHT
61.	822-12740	WALB-6	KILLARK	2" LB. NEG. MOGUL W/ COVER
62.	827-00071/822-10583/827-10150	-	COOPER	20AMP DUPLEX RECEPTACLE / 4" x 4" J.B.
63.	822-00129	-	-	ENCLOSURE, UNITY 8" X 8" X 6"
64.	900-70063	300143	QUEST	QUEST CONTROLS KEYPAD CARD READER
65.	842-00091	-	CENTRAL STEEL	CABLE TRAY, MOUNTING BRACKET
66.	842-00090	-	CENTRAL STEEL	CABLE TRAY, END CLOSING TUBE 1.5"
67.	842-00089	-	CENTRAL STEEL	CABLE TRAY, ADJUSTABLE "T" JUNCTION KIT
68.	830-00086	UG8A-DN-36	ANDREW	36" 3-TIER TRAPEZE (INSTALLED AT INSTALLED WAVEGUIDE LOCATION)
69.	822-10162	-	-	4-11/16 X 4-11/16 JBOX
70.	822-12427	-	-	ENCLOSURE, UNITY 6"x6"x6"
71.	822-10150/900-70061	-	-	4 X 4 JBOX/QUEST CONTROLS POWER CONVERTER 48V 300771
72.	900-70060	300199	QUEST	QUEST CONTROLS THERMISTOR SENSOR SUPPLY AIR TEMP - HVAC #1
73.	900-70060	300199	QUEST	QUEST CONTROLS THERMISTOR SENSOR SUPPLY AIR TEMP - HVAC #2
74.	900-70058	150979	QUEST	QUEST CONTROLS AIRFLOW SENSORS - PRESSURE DIFFERENTIAL
75.	900-70059	150747	QUEST	QUEST CONTROLS OUTDOOR TEMP SENSOR
76.	900-70062	300147	QUEST	QUEST CONTROLS ELECTRIC DOOR STROKE
77.	SEE PACKING LIST	-	-	-
78.	843-00003	TTP3	DAYTON	BLOWER, PSC 75CFM 115V DAYTON
79.	848-11890	099140	ARRGH MANUFACTURING	DETECTOR, HYDROGEN GAS - DUAL RELAY - ARRGH
80.	-	-	-	-
81.	-	-	-	-
82.	-	-	-	-
83.	-	-	-	-
84.	-	-	-	-
85.	-	-	-	-
86.	-	-	-	-
87.	-	-	-	-
88.	-	-	-	-
89.	-	-	-	-
90.	-	-	-	-
91.	-	-	-	-
92.	-	-	-	-
93.	-	-	-	-
94.	-	-	-	-
95.	-	-	-	-
96.	-	-	-	-
97.	-	-	-	-
98.	-	-	-	-
99.	-	-	-	-
100.	-	-	-	-

PACKING LIST

ITEM NO.	QTY.	FIBREBOND PART NO.	MFG'S. PART NO.	MANUFACTURER	DESCRIPTION
-	1	841-80030	474	-	BRUSH, 1" PAINT
-	.25 gal	851-00263	-	-	PAINT, THOROLASTIC FINE MESA TAN (USA - 100%)
-	*	850-00226	NS-30	PRUROFLEX	CAULK, ADHESIVE/SEALANT 10.3 OZ CARTRIDGE -- PRABE TORQUE TAN
-	4	197786	197786	FIBREBOND	PLATE, TIEDOWN -- 3/8" X 9" X 12"
-	6	854-12970	20655	-	ANCHOR, SLEEVE -- 3/4" X 2 1/2"
-	1	841-22312	-	-	DUST PAN, BLACK METAL
-	1	841-00202	-	-	GEL-OFF CLEANING SOLVENT
-	1	841-00201	-	-	TELEPHONE, W/CALLER ID, SPEAKERPHONE
-	1	841-13825	-	-	BROOM, WOOD HANDLE 7.5"
-	1	841-00206	-	-	BOX, 12-GALLON GARBAGE BAGS
-	1	841-00205	-	-	WIPING CLOTH ALL PURPOSE 5 LB
-	1	900-70095	-	-	HARD HAT, MSA WHITE V-GARD CLASS E, CUSTOMER SUPPLIED
-	1	841-22770	-	-	CHAIR, METAL FOLDING
-	1	841-22306	-	-	WASTEBASKET, 28 QUART
-	1	841-24100	8106	WERNER	6'-0" FIBERGLASS LADDER W/ HANGER
-	1	841-22321	-	-	EAR MUFF, EAR #5000 3-POSITION
-	1	841-20983	-	-	LOCK, 2" BRASS COMBINATION 175LH
-	1	835-14301	-	-	CLIP, S66 2-POS S/S BRIDGING (BAG)
-	1	836-00099	-	-	CORD, BEIGE 25' PHONE 5703721
77	1	841-00266	-	-	SPILL KIT, EMERGENCY ALLWK SKA-SAK

* VARIES WITH SIZE OF BLDG., SEE SEQUENCE 120

FC-64

THESE PLANS ARE THE CONFIDENTIAL PROPERTY AND TRADE SECRETS OF FIBREBOND CORPORATION. ANY USE OF THESE DRAWINGS OR THE INFORMATION CONTAINED HEREIN FOR ANY REASON OTHER THAN AS EXPRESSLY AUTHORIZED BY FIBREBOND CORPORATION IS STRICTLY PROHIBITED. THESE DRAWINGS HAVE BEEN DISTRIBUTED WITH THE UNDERSTANDING THAT ANYONE RECEIVING OR OTHERWISE OBTAINING POSSESSION OF THEM WILL BE EXPRESSLY NOTIFIED OF THEIR CONFIDENTIAL NATURE.	1300 DAVENPORT DRIVE MINDEN, LA. 71055 ph. (800) 824-2614 www.fibrebond.com		
	GOGO LLC		
	11'-5" X 14'-0" EQUIPMENT SHELTER		
	ITEM LIST		
REV. BY DATE	REVISION	APP. DATE BOM DATE	SCALE: NONE SHEET NO.: 5 Dwg No.: D-9406

ITEM LIST

ITEM NO.	FIBREBOND PART NO.	MANUFACTURER PART NO.	MANUFACTURER	DESCRIPTION
1.	837-00172	W24A1-A05XPX00J	BARO	AC BARO 2 TON 1PH 5KW NO ECONOMIZER R410A
2.	837-00172	W24A1-A05XPX00J	BARO	AC BARO 2 TON 1PH 5KW NO ECONOMIZER R410A
3.	900-70044	ESB	QUEST	QUEST CONTROLS ESB CONTROLLER (LEAD/LAG THERMOSTAT)
4.	900-70021	0048760	GENERAC	GENERAC INTEGRATED LOADCENTER, 200 AMP, 600 VAC CUSTOMER SUPPLIED
5.	824-22196	D224H8B	SQUARE D	DISCONNECT SQUARE D 200AMP FUSED 120/240V 1PH EXTERIOR
6.	822-10200/841-24341	-	-	ENCLOSURE, UNITY (USA) 12"X12"X6" (RAINPROOF)/KEY STORAGE, WALL MOUNT
7.	-	-	-	DOOR, 3670 18 GA. GALVANIZED, WITH 161 PREP POLYSTYRENE INSULATION, 1.5 HOUR FIRE RATED UL LISTED
8.	847-00001	-	-	CLOSER, STD GRADE #3 90 DEGREE HOLD OPEN
9.	847-11073	TA2314HRP260	McKINNEY	DOOR HINGES
10.	-	-	-	-
11.	847-00227	-	-	LOCKGUARD, HAGER WITH LOCK CUT OUT 3"X11" 341D
12.	847-24407	93K7-AB-15C-53-626	BEST	LOCK, BEST CYLINDER / LEVER ENTRANCE LESS CORE
13.	841-23025	-	-	DESK, WALL MOUNT FOLD-UP SHOP
14.	847-12347	198N-42	NATIONAL GUARD	DOOR SWEEP, 42"
15.	847-11802	164D-48	NATIONAL GUARD	DRP STRIP, 48"
16.	-	-	-	-
17.	827-00085/822-13765/822-10365	-	HUBBELL	RECEPTACLE, 20AMP GFCI/RECEPTACLE, COVER/2" X 4" W.P.J.B. & WEATHER-RESISTANT PER NEC 406.8/OHIO NJ
18.	818-00039	HE13331NP	HARGER	WAVEGUIDE, 4" 18 PORT WITH PVC CAPS THEN WALL PORT (USA)
19.	831-00083/831-00094	207	TEXAS FLUORESCENTS	FIXTURE, INTERIOR LIGHT, 32W, W/A 2 BULB 18 4" WITH LENS
20.	827-00086/822-10580/822-10150	-	HUBBELL	SWITCH 20AMP 120V TOGGLE W/ 2 SWITCH COVER IN 4X4 JUNCTION BOX
21.	831-23605/831-00111	-	-	FIXTURE, 150W EXT. W/MOTION DETECTOR / SWITCH 20AMP 120V 1P AC TOGGLE BACK WIRED CSR1201
22.	827-00086	CS81201	HUBBELL	SWITCH 20AMP 120V SINGLE POLE AC TOGGLE
23.	-	-	-	-
24.	847-12747	8720	BEST	DOOR PEEP 210 DEGREE
25.	822-10150	4SDKX	APPLETON	4" X 4" J.B. (1/2" & 3/4" KNOCKOUT)
26.	827-00071/822-10583/827-10150	-	COOPER	20AMP DUPLEX RECEPTACLE / 4" X 4" J.B.
27.	827-00071/822-10583/827-10150	-	COOPER	20AMP DUPLEX RECEPTACLE / 4" X 4" J.B.
28.	830-00087	-	-	COPPER BAR 1/4"X4"X12" (TELCO)
29.	194341	-	-	COPPER GROUND BAR, 1/4"X4"X20" 1" PATTERN (MASTER)
30.	194341	-	-	COPPER GROUND BAR, 1/4"X4"X20" 1" PATTERN (INTERIOR)
31.	197615	-	-	TINNED COPPER GROUND BAR, 1/4"X4"X20" 1" PATTERN (EXTERIOR)
32.	-	1" PVC	BARTLETT	1" SCHEDULE 40 PVC CAST @ 45'
33.	841-13867	63202	DEFLECTO	LETTER TRAY
34.	-	-	-	-
35.	822-00031/822-00031/822-00031/822-10141	-	-	2-GANG EXTENDER RING / 2-GANG EXTENDER RING / 2 GANG EXTENDER RING / 4" BLANK COVER
36.	821-10527	-	-	WIREWAY, UNITY (USA) 4"X4"X10" GALV NR
37.	821-12121	-	-	ELBOW, UNITY (USA) 4"X4" 90 DEGREE WIREWAY
38.	821-10546	-	-	ENDCAP, UNITY (USA) 4" GALVANIZED UNIVERSAL
39.	827-00086/822-11860/822-10150	-	HUBBELL	SWITCH 20AMP 120V TOGGLE W/ SINGLE SWITCH COVER IN 4X4 JUNCTION BOX
40.	841-00180	-	-	KIT, GENUINE FIRST AID 10 PERSON FA-10P
41.	841-20426	1KW7B	GRANGER	EYE WASH STATION, 1qt. BOTTLE
42.	-	-	-	4" TELCO ENTRY
43.	841-00204	-	-	24" X 24" DOOR SIGN
44.	822-15795	-	-	ENCLOSURE, 20"X20"X8" HOFFMAN NEWAS
45.	849-11320	-	-	EXTINGUISHER, 10# ABC DRY CHEM
46.	195872	-	-	PLATE, 12"X12" BLANK ALUMINUM
47.	831-00077	-	-	FIXTURE, EMERGENCY 2-HEAD LIGHT TCP 20760
48.	848-10128	-	GENTEX	DETECTOR, GENTEX PHOTOELECTRIC (USA)
49.	822-21981/820-11838/822-13401	-	-	BOX, 4"WPJB W/3/4"REDUCER, 3/4"X1/2"COVER, 4"X4" WP BLANK
50.	822-21981/822-13401	-	-	BOX, 4"WPJB W/3/4"COVER, 4"X4" WP BLANK

NOTE:

ITEMS ARE SUBJECT TO CHANGE DUE TO AVAILABILITY AND EQUAL SUBSTITUTES WILL BE USED. ELECTRICAL OR MECHANICAL REQUIREMENTS MAY CHANGE DUE TO MANUFACTURERS SPECIFICATIONS.

ITEM LIST


ITEM NO.	FIBREBOND PART NO.	MANUFACTURER PART NO.	MANUFACTURER	DESCRIPTION
51.	831-00119	201A132MWN	TEXAS FLUORESCENTS	FIXTURE, CORRIDOR WRAP-AROUND SURFACE MOUNT TB
52.	-	-	-	-
53.	827-00071/822-10583/827-10150	-	COOPER	20AMP DUPLEX RECEPTACLE / 4" X 4" J.B.
54.	827-00071/822-10583/827-10150	-	COOPER	20AMP QUADPLEX RECEPTACLE / 4" X 4" J.B.
55.	835-23135/835-23747	-	-	ALARM BLOCK W/ BRACKET, "66" STAND-OFF
56.	-	-	-	QUEST CONTROLS TEMP / HUMIDITY SENSOR 150749 (SHIPS WITH 900-70044 CONTROLLER); 2"X4" JBOX
57.	813-00080	-	-	BOARD, TELCO 3/4" X 48" X 38" MUPOLY MDF W/CAP TRIM
58.	830-21728	-	-	BRACKET, 5" AUXILIARY CABLE HANGER
59.	-	-	-	MAGNETIC DOOR ALARM
60.	822-00130/819-20170	-	-	CONDULET, 1/2" SLB-50 & 1/2" NON-METALLIC SEALTIGHT
61.	822-12740	WAJB-6	KILLARK	2" LB. NEC, MUGUL W/ COVER
62.	827-00071/822-10583/827-10150	-	COOPER	20AMP DUPLEX RECEPTACLE / 4" X 4" J.B.
63.	822-00129	-	-	ENCLOSURE, UNITY 8" X 8" X 6"
64.	900-70063	300143	QUEST	QUEST CONTROLS KEYPAD CARD READER
65.	842-00091	-	CENTRAL STEEL	CABLE TRAY, MOUNTING BRACKET
66.	842-00090	-	CENTRAL STEEL	CABLE TRAY, END CLOSING TUBE 1.5"
67.	842-00089	-	CENTRAL STEEL	CABLE TRAY, ADJUSTABLE "I" JUNCTION KIT
68.	830-00086	UGBA-DN-36	ANDREW	36" 3-TIER TRAPEZE (INSTALLED AT INSTALLED WAVEGUIDE LOCATION)
69.	822-10162	-	-	4-11/16 X 4-11/16 JBOX
70.	822-12427	-	-	ENCLOSURE, UNITY 6"X6"X6"
71.	822-10150/900-70061	-	-	4 X 4 JBOX/QUEST CONTROLS POWER CONVERTER 4BY 300771
72.	900-70060	300199	QUEST	QUEST CONTROLS THERMISTOR SENSOR SUPPLY AIR TEMP - HVAC #1
73.	900-70060	300199	QUEST	QUEST CONTROLS THERMISTOR SENSOR SUPPLY AIR TEMP - HVAC #2
74.	900-70058	150979	QUEST	QUEST CONTROLS AIRFLOW SENSORS - PRESSURE DIFFERENTIAL
75.	900-70059	150747	QUEST	QUEST CONTROLS OUTDOOR TEMP SENSOR
76.	900-70062	300147	QUEST	QUEST CONTROLS ELECTRIC DOOR STRIKE
77.	SEE PACKING LIST	-	-	-
78.	843-00003	T10P3	DAYTON	BLOWER, PSC 75CFM 115V DAYTON
79.	848-11990	099140	ARRGH MANUFACTURING	DETECTOR, HYDROGEN GAS - DUAL RELAY - ARRGH
80.	-	-	-	-
81.	-	-	-	-
82.	-	-	-	-
83.	-	-	-	-
84.	-	-	-	-
85.	-	-	-	-
86.	-	-	-	-
87.	-	-	-	-
88.	-	-	-	-
89.	-	-	-	-
90.	-	-	-	-
91.	-	-	-	-
92.	-	-	-	-
93.	-	-	-	-
94.	-	-	-	-
95.	-	-	-	-
96.	-	-	-	-
97.	-	-	-	-
98.	-	-	-	-
99.	-	-	-	-
100.	-	-	-	-

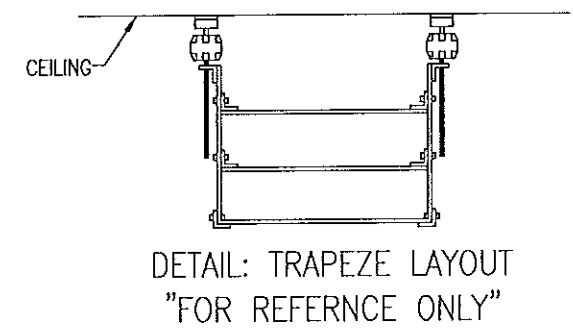
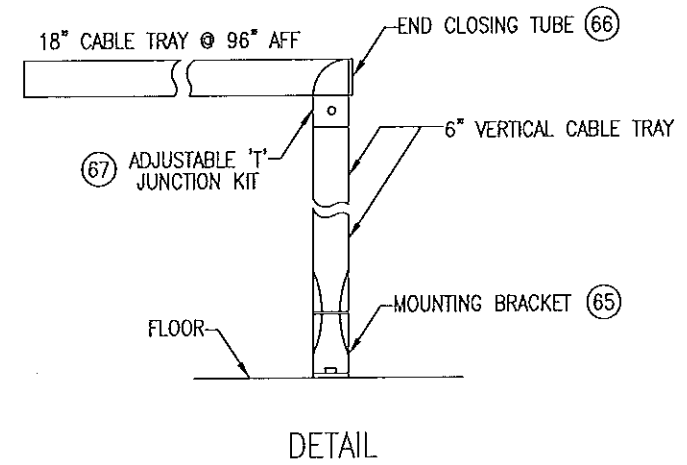
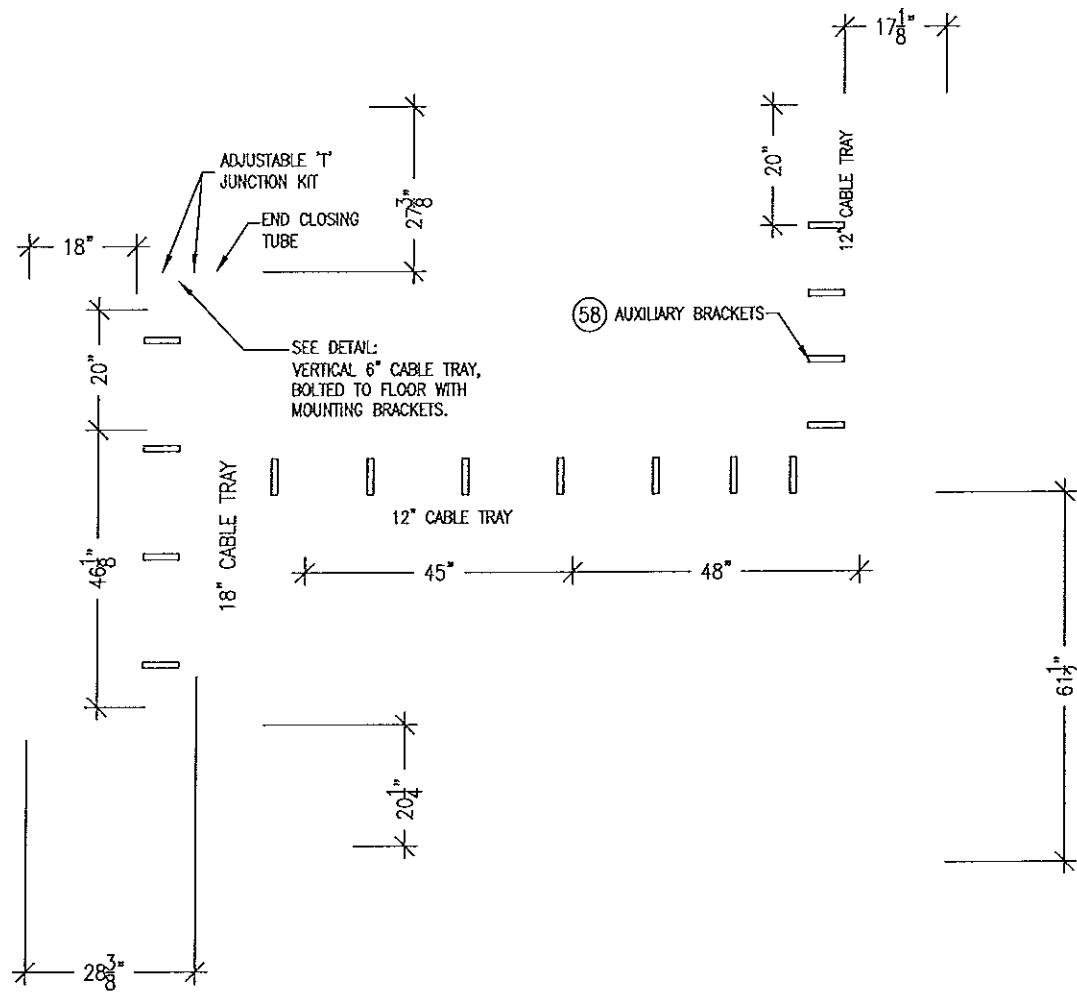
PACKING LIST

ITEM NO.	QTY.	FIBREBOND PART NO.	MFG'S. PART NO.	MANUFACTURER	DESCRIPTION
-	1	841-50030	474	-	BRUSH, 1" PAINT
-	.25 gal	851-00263	-	-	PAINT, THEROPLASTIC FINE MESA TAN (USA - 100%)
-	*	850-00226	MS-30	PRUROFLEX	CAULK, ADHESIVE/SEALANT 10.3 OZ CARTRIDGE -- PRABE TORQUE TAN
-	4	197786	197786	FIBREBOND	PLATE, TIEDOWN - 3/8" X 9" X 12"
-	8	854-12970	20655	-	ANCHOR, SLEEVE - 3/4" X 2 1/2"
-	1	841-22312	-	-	DUST PAN, BLACK METAL
-	1	841-00202	-	-	GEL-OFF CLEANING SOLVENT
-	1	841-00201	-	-	TELEPHONE, W/CALLER ID, SPEAKERPHONE
-	1	841-13825	-	-	BROOM, WOOD HANDLE 7.5'
-	1	841-00206	-	-	BOX, 12-GALLON GARBAGE BAGS
-	1	841-00205	-	-	WIPING CLOTH ALL PURPOSE 5 LB
-	1	900-70095	-	-	HARD HAT, USA WHITE V-GARD CLASS E, CUSTOMER SUPPLIED
-	1	841-22770	-	-	CHAIR, METAL FOLDING
-	1	841-22306	-	-	WASTEBASKET, 28 QUART
-	1	841-24100	6106	WERNER	6'-0" FIBERGLASS LADDER W/ HANGER
-	1	841-22321	-	-	EAR MUFF, EAR #3000 3-POSITION
-	1	841-20983	-	-	LOCK, 2" BRASS COMBINATION 175LH
-	1	835-14301	-	-	CLIP, S66 2-POS S/S BRIDGING (BAG)
-	1	836-00099	-	-	CORD, BEIGE 25' PHONE 5703121
77	1	841-00266	-	-	SPILL KIT, EMERGENCY ALLWK SKA-SAK

* VARIES WITH SIZE OF BLDG., SEE SEQUENCE 120

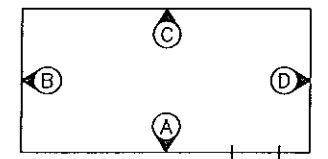
FC-64

REV. BY DATE	REVISION	APP. DATE BOM DATE	THESE PLANS ARE THE CONFIDENTIAL PROPERTY AND TRADE SECRETS OF FIBREBOND CORPORATION. ANY USE OF THESE DRAWINGS OR THE INFORMATION CONTAINED HEREIN FOR ANY REASON OTHER THAN AS EXPRESSLY AUTHORIZED BY FIBREBOND CORPORATION IS STRICTLY PROHIBITED. THESE DRAWINGS HAVE BEEN DISTRIBUTED WITH THE UNDERSTANDING THAT ANYONE RECEIVING OR OTHERWISE OBTAINING POSSESSION OF THEM WILL BE EXPRESSLY NOTIFIED OF THEIR CONFIDENTIAL NATURE.	1300 DAVENPORT DRIVE MINDEN, LA. 71055 ph. (800) 824-2614 www.fibrebond.com	
				GOGO LLC	
				11'-5" X 14'-0" EQUIPMENT SHELTER	
				ITEM LIST	
SCALE: NONE	SHEET NO: 5.1	B Dwg No: D-9406			



- NOTE:**
1. ALL DIMENSION ARE ACCURATE $\pm 1/4"$
 2. CABLE TRAY SHALL BE 96" A.F.F.
 3. USE 6", 12", & 18" CABLE TRAY AS SHOWN.

REFERENCE DRAWINGS REQUIRED TO COMPLETE THIS SHEET	
DRAWING NO.	DESCRIPTION
MECH-0005	STANDARD CABLE RACK MOUNTING DETAILS



ELEVATION KEY

REV.	BY	DATE	REVISION	APP.	DATE	BOM	DATE

1300 DAVENPORT DRIVE MINDEN, LA. 71055
 ph. (800) 824-2614 www.fibrebond.com

GOGO LLC

11'-5" X 14'-0" EQUIPMENT SHELTER

CABLE RACK CEILING VIEW

DATE: 8/19/13

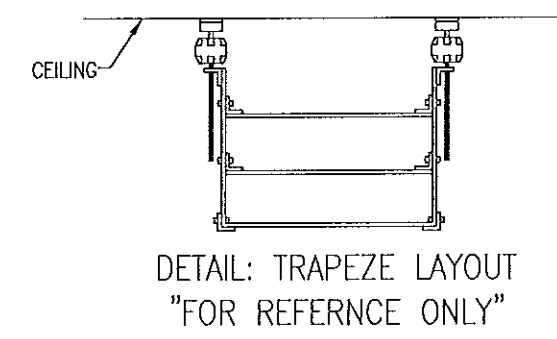
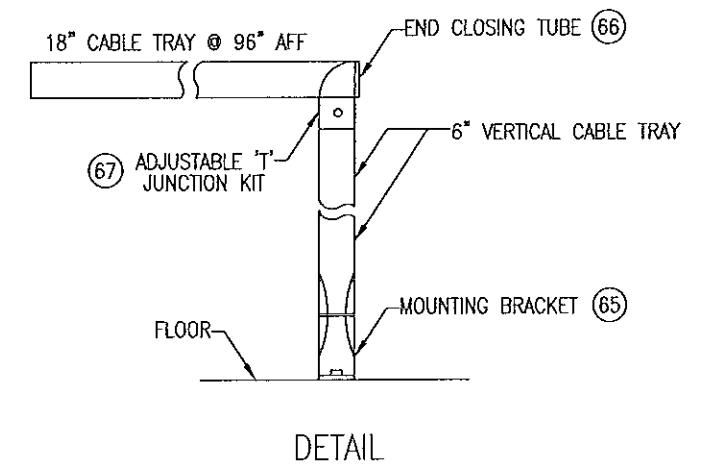
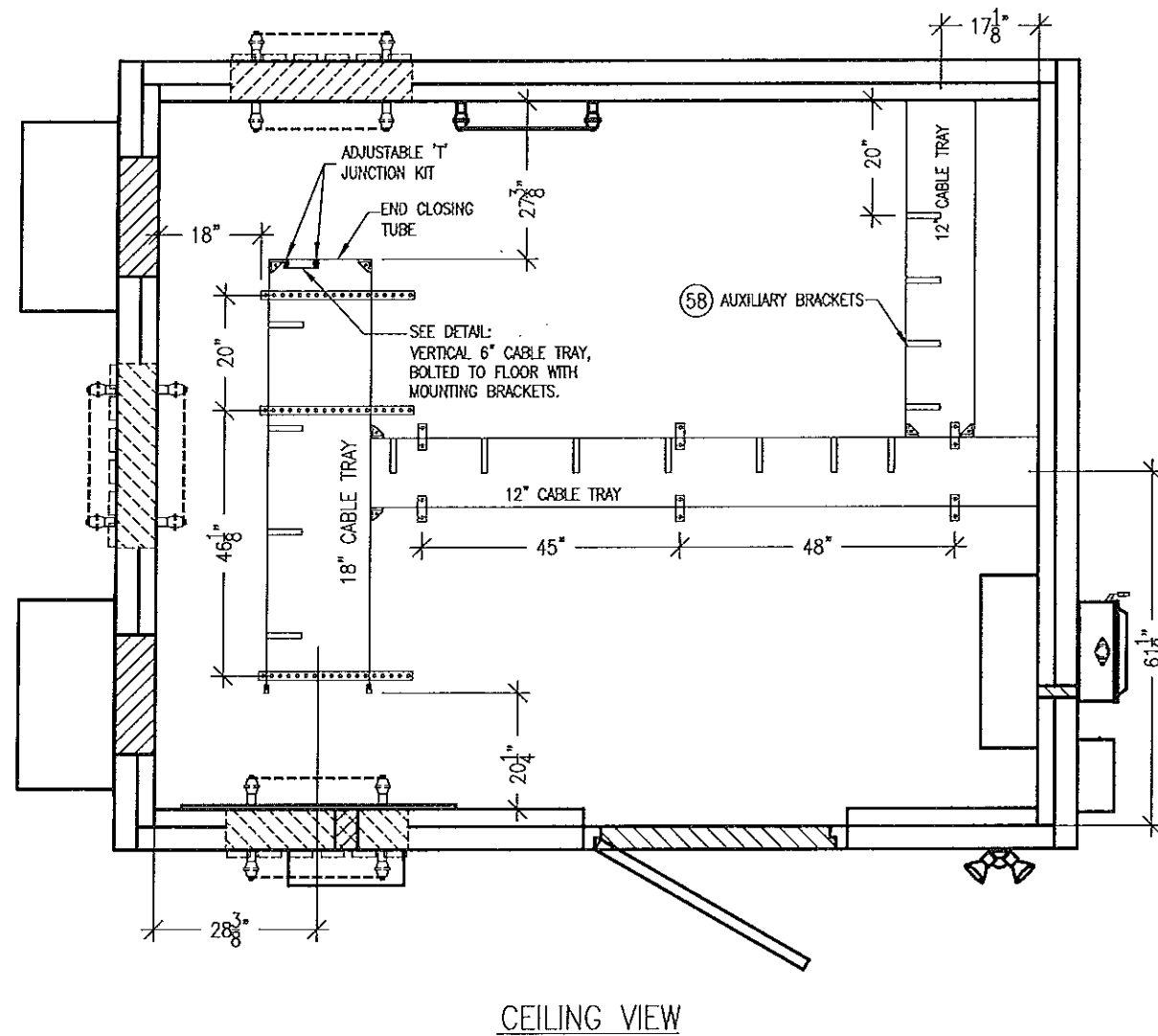
FC-64

SCALE: 3/8"=1'-0"

SHEET NO.: 6

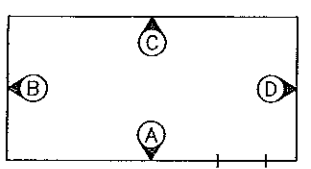
DWG NO.: D-9406

THESE PLANS ARE THE CONFIDENTIAL PROPERTY AND TRADE SECRETS OF FIBREBOND CORPORATION. ANY USE OF THESE DRAWINGS OR THE INFORMATION CONTAINED HEREIN FOR ANY REASON OTHER THAN AS EXPRESSLY AUTHORIZED BY FIBREBOND CORPORATION IS STRICTLY PROHIBITED. THESE DRAWINGS HAVE BEEN DISTRIBUTED WITH THE UNDERSTANDING THAT ANYONE RECEIVING OR OTHERWISE OBTAINING POSSESSION OF THEM WILL BE EXPRESSLY NOTIFIED OF THEIR CONFIDENTIAL NATURE.



- NOTE:
1. ALL DIMENSION ARE ACCURATE $\pm 1/4"$
 2. CABLE TRAY SHALL BE 96" A.F.F.
 3. USE 6", 12", & 18" CABLE TRAY AS SHOWN.

REFERENCE DRAWINGS REQUIRED TO COMPLETE THIS SHEET	
DRAWING NO.	DESCRIPTION
MECH-0005	STANDARD CABLE RACK MOUNTING DETAILS



ELEVATION KEY

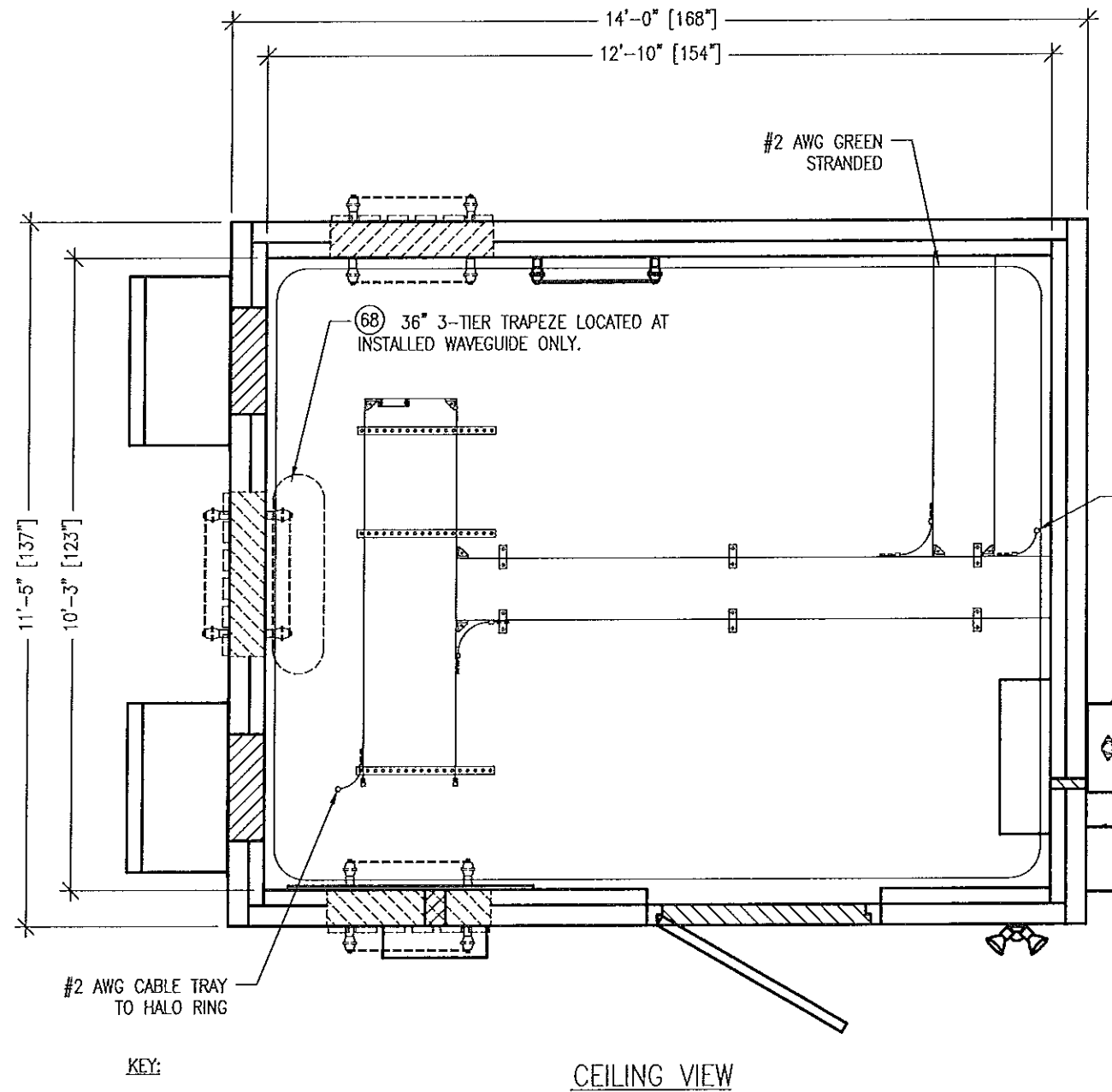
REV.	BY	DATE	REVISION	APP.	DATE	BOM	DATE

THESE PLANS ARE THE CONFIDENTIAL PROPERTY AND TRADE SECRETS OF FIBREBOND CORPORATION. ANY USE OF THESE DRAWINGS OR THE INFORMATION CONTAINED HEREIN FOR ANY REASON OTHER THAN AS EXPRESSLY AUTHORIZED BY FIBREBOND CORPORATION IS STRICTLY PROHIBITED. THESE DRAWINGS HAVE BEEN DISTRIBUITED WITH THE UNDERSTANDING THAT ANYONE RECEIVING OR OTHERWISE OBTAINING POSSESSION OF THEM WILL BE EXPRESSLY NOTIFIED OF THEIR CONFIDENTIAL NATURE.		1300 DAVENPORT DRIVE MINDEN, LA. 71055 ph. (800) 824-2614 www.fibrebond.com		
GOGO LLC 11'-5" X 14'-0" EQUIPMENT SHELTER CABLE RACK CEILING VIEW		SCALE: 3/8"=1'-0" SHEET NO.: 6.1		
DRN BY: CSP CHK BY:	DATE: 8/19/13	APP. BY:	DATE:	BOM NO.: D-9406

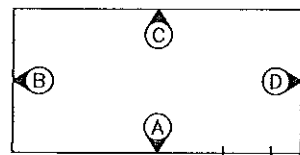
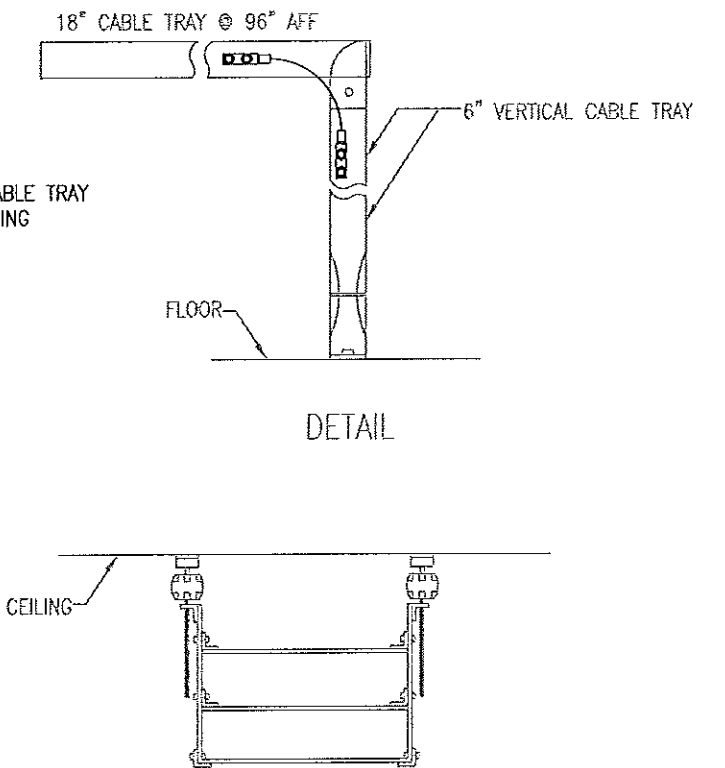
FC-64

NOTES:

1. HALO GROUND SHALL BE #2 AWG STRANDED GREEN COPPER WIRE.
2. INSTALL 3-TIER 36" TRAPEZE AT INSTALLED WAVEGUIDE LOCATION ONLY. GROUND INTERIOR WAVEGUIDE GROUND BAR INSTALLED BELOW WAVEGUIDE TO TRAPEZE WITH #6 AWG AND TO MASTER GROUND BAR WITH #2 AWG.
3. ALL BENDS MINIMUM 6" RADIUS.
4. APPLY ANTI-OXIDATION COMPOUND TO ALL CONNECTIONS.
5. 1/2" SCH. 40 PVC CAST AT 45° ANGLE.
6. ALL GROUNDING WIRES FOR HVAC GRILLES, BOXES, CABLE TRAY JUMPERS, ETC. SHALL BE #6 AWG GREEN STRANDED COPPER WIRE AND A 2-HOLE LUG.
7. BARE COPPER CONDUCTORS SHALL NOT BE IN CONTACT WITH ANY DISSIMILAR MATERIAL. PLACE ON STANDOFFS, IF NECESSARY, TO ALLOW FOR PROPER INSTALLATION.
8. SHARP BENDS IN GROUNDING CONDUCTORS SHALL BE AVOIDED. 90° BENDS SHALL NOT BE USED.
9. ALL GROUNDING CONDUCTORS SHALL BE KEPT AS SHORT AS POSSIBLE. THE SHORTEST PRACTICAL ROUTE SHALL BE CHOSEN WITH THE LEAST AMOUNT OF BENDS AND SPLICES. USE THIS RULE AT ALL TIMES, EVEN IF ELEVATION PLAN SHOWS OTHERWISE. PLANS ARE SOMETIMES CLUTTERED AND UNCLEAR DUE TO LARGE AMOUNTS OF GROUNDING. BONDING JUMPERS CAN BE MOVED/SLID FROM ONE SIDE OF THE OBJECT TO THE OTHER UNDER THE GUIDANCE OF A SENIOR CREW LEADER AND/OR SUPERVISOR.
10. ALL CONNECTIONS TO GROUND BARS SHALL BE WITH A 2-HOLE LUG UNLESS OTHERWISE SPECIFIED.
11. ALL SOLID WIRE SHALL USE A 2-HOLE LONG BARREL LUG.
12. WHEN GROUNDING MORE THAN ONE PIECE OF EQUIPMENT, DO NOT USE THE EQUIPMENT AS GROUNDING CONDUCTOR. DOUBLE-STACKING OF LUGS SHALL BE USED TO GET FROM EQUIPMENT TO EQUIPMENT.
13. REMOVE ALL PAINT BENEATH THE SURFACE OF GROUND LUGS.
14. ALL CONDUIT THAT HALO GROUND CROSSES OVER SHALL BE BONDED TO HALO.
15. GROUND JUMPER CONNECTIONS TO THE BUSS BAR SHOULD BE MADE ON THE OUTMOST SETS OF HOLES. CONNECTIONS SHOULD BE MADE "BACK TO BACK", ON BOTH SIDES OF THE BUSS BAR TO ALLOW AS MANY OF THE CENTER HOLE SPACES AS POSSIBLE TO REMAIN OPEN AND AVAILABLE FOR ON SITE USE.
16. SEE BUILDING COVER SHEET FOR WAVEGUIDE LOCATION.
17. SEE HALO GROUND DETAILS SHEET FOR MORE INFORMATION.
18. PLASTIC TYWRAPS ARE PERMITTED FOR USE WHERE NECESSARY.
19. SOLID TINNED #2 CAD-WELDED TO GROUND BAR (2) LOCATIONS. PULL 10-FT OF WIRE, COIL, AND TAG AS MASTER GROUND BAR GROUND WIRES.
20. GROUND BAR CAD WELDS TO BE MADE 4-1/2" FROM EACH OUTSIDE EDGE.



KEY:
 [Hatched Box] = COMPRESSION TERMINAL
 [Square] = HALO GROUND SUPPORTS MOUNTED 1'-6" [18"] C/C MAX



ELEVATION KEY

FC-64

REV.	BY	DATE	REVISION	APP.	DATE	BOM	DATE

THESE PLANS ARE THE CONFIDENTIAL PROPERTY AND TRADE SECRETS OF FIBREBOND CORPORATION. ANY USE OF THESE DRAWINGS OR THE INFORMATION CONTAINED HEREIN FOR ANY REASON OTHER THAN AS EXPRESSLY AUTHORIZED BY FIBREBOND CORPORATION IS STRICTLY PROHIBITED. THESE DRAWINGS HAVE BEEN DISTRIBUTED WITH THE UNDERSTANDING THAT ANYONE RECEIVING OR OTHERWISE OBTAINING POSSESSION OF THEM WILL BE EXPRESSLY NOTIFIED OF THEIR CONFIDENTIAL NATURE.

1300 DAVENPORT DRIVE MINDEN, LA. 71055
 ph. (800) 824-2614 www.fibrebond.com

GOGO LLC

11'-5" X 14'-0" EQUIPMENT SHELTER
 HALO GROUND CEILING VIEW

DRW. BY: CSP	DATE: 8/19/13	APP. BY:	DATE:
CHK. BY:	DATE:	APP. BY: -	DATE: -

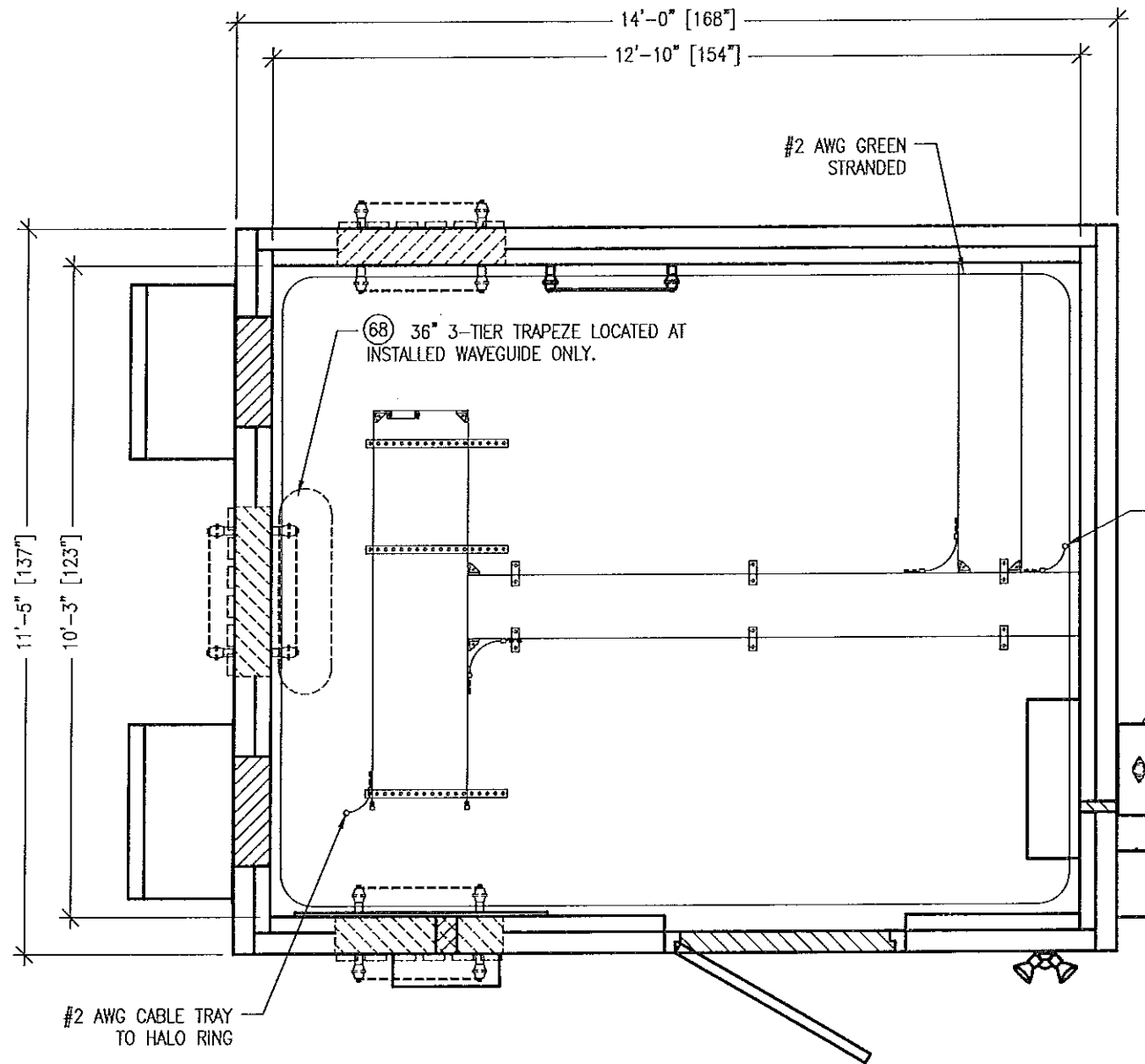
FIBREBOND

SCALE: 3/8"=1'-0" SHEET NO.: 7-1

DWG NO.: B D-9406

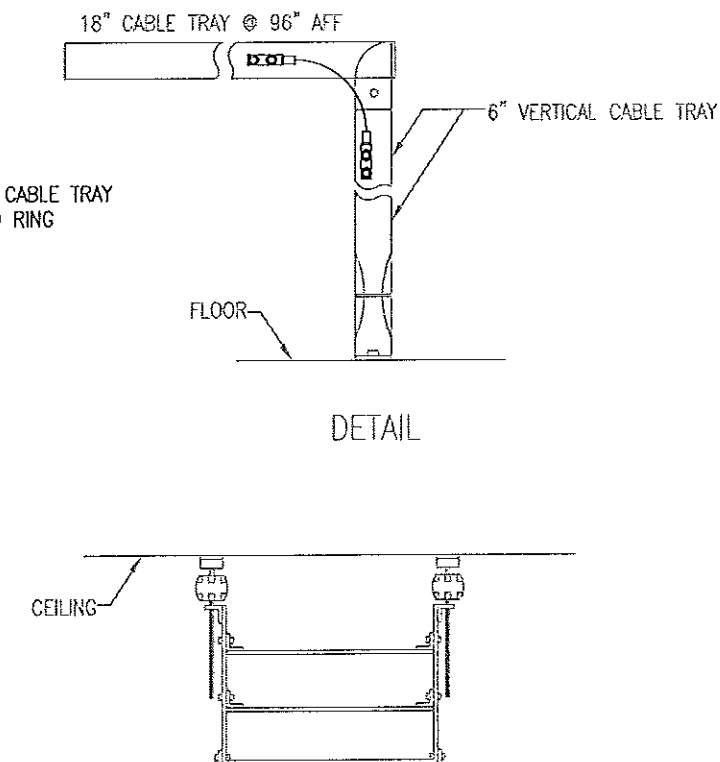
NOTES:

1. HALO GROUND SHALL BE #2 AWG STRANDED GREEN COPPER WIRE.
2. INSTALL 3-TIER 36" TRAPEZE AT INSTALLED WAVEGUIDE LOCATION ONLY. GROUND INTERIOR WAVEGUIDE GROUND BAR INSTALLED BELOW WAVEGUIDE TO TRAPEZE WITH #6 AWG AND TO MASTER GROUND BAR WITH #2 AWG.
3. ALL BENDS MINIMUM 6" RADIUS.
4. APPLY ANTI-OXIDATION COMPOUND TO ALL CONNECTIONS.
5. 1/2" SCH. 40 PVC CAST AT 45° ANGLE.
6. ALL GROUNDING WIRES FOR HVAC GRILLES, BOXES, CABLE TRAY JUMPERS, ETC. SHALL BE #6 AWG GREEN STRANDED COPPER WIRE AND A 2-HOLE LUG.
7. BARE COPPER CONDUCTORS SHALL NOT BE IN CONTACT WITH ANY DISSIMILAR MATERIAL. PLACE ON STANDOFFS, IF NECESSARY, TO ALLOW FOR PROPER INSTALLATION.
8. SHARP BENDS IN GROUNDING CONDUCTORS SHALL BE AVOIDED. 90° BENDS SHALL NOT BE USED.
9. ALL GROUNDING CONDUCTORS SHALL BE KEPT AS SHORT AS POSSIBLE. THE SHORTEST PRACTICAL ROUTE SHALL BE CHOSEN WITH THE LEAST AMOUNT OF BENDS AND SPLICES. USE THIS RULE AT ALL TIMES, EVEN IF ELEVATION PLAN SHOWS OTHERWISE. PLANS ARE SOMETIMES CLUTTERED AND UNCLEAR DUE TO LARGE AMOUNTS OF GROUNDING. BONDING JUMPERS CAN BE MOVED/SLID FROM ONE SIDE OF THE OBJECT TO THE OTHER UNDER THE GUIDANCE OF A SENIOR CREW LEADER AND/OR SUPERVISOR.
10. ALL CONNECTIONS TO GROUND BARS SHALL BE WITH A 2-HOLE LUG UNLESS OTHERWISE SPECIFIED.
11. ALL SOLID WIRE SHALL USE A 2-HOLE LONG BARREL LUG.
12. WHEN GROUNDING MORE THAN ONE PIECE OF EQUIPMENT, DO NOT USE THE EQUIPMENT AS GROUNDING CONDUCTOR. DOUBLE-STACKING OF LUGS SHALL BE USED TO GET FROM EQUIPMENT TO EQUIPMENT.
13. REMOVE ALL PAINT BENEATH THE SURFACE OF GROUND LUGS.
14. ALL CONDUIT THAT HALO GROUND CROSSES OVER SHALL BE BONDED TO HALO.
15. GROUND JUMPER CONNECTIONS TO THE BUSS BAR SHOULD BE MADE ON THE OUTMOST SETS OF HOLES. CONNECTIONS SHOULD BE MADE "BACK TO BACK", ON BOTH SIDES OF THE BUSS BAR TO ALLOW AS MANY OF THE CENTER HOLE SPACES AS POSSIBLE TO REMAIN OPEN AND AVAILABLE FOR ON SITE USE.
16. SEE BUILDING COVER SHEET FOR WAVEGUIDE LOCATION.
17. SEE HALO GROUND DETAILS SHEET FOR MORE INFORMATION.
18. PLASTIC TYWRAPS ARE PERMITTED FOR USE WHERE NECESSARY.
19. SOLID TINNED #2 CAD-WELDED TO GROUND BAR (2) LOCATIONS. PULL 10-FT OF WIRE, COIL, AND TAG AS MASTER GROUND BAR GROUND WIRES.
20. GROUND BAR CAD WELDS TO BE MADE 4-1/2" FROM EACH OUTSIDE EDGE.

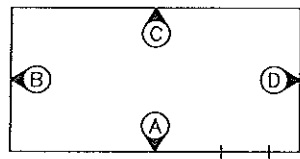


KEY:
 □ = COMPRESSION TERMINAL
 □ = HALO GROUND SUPPORTS MOUNTED 1'-6" [18"] C/C MAX

CEILING VIEW



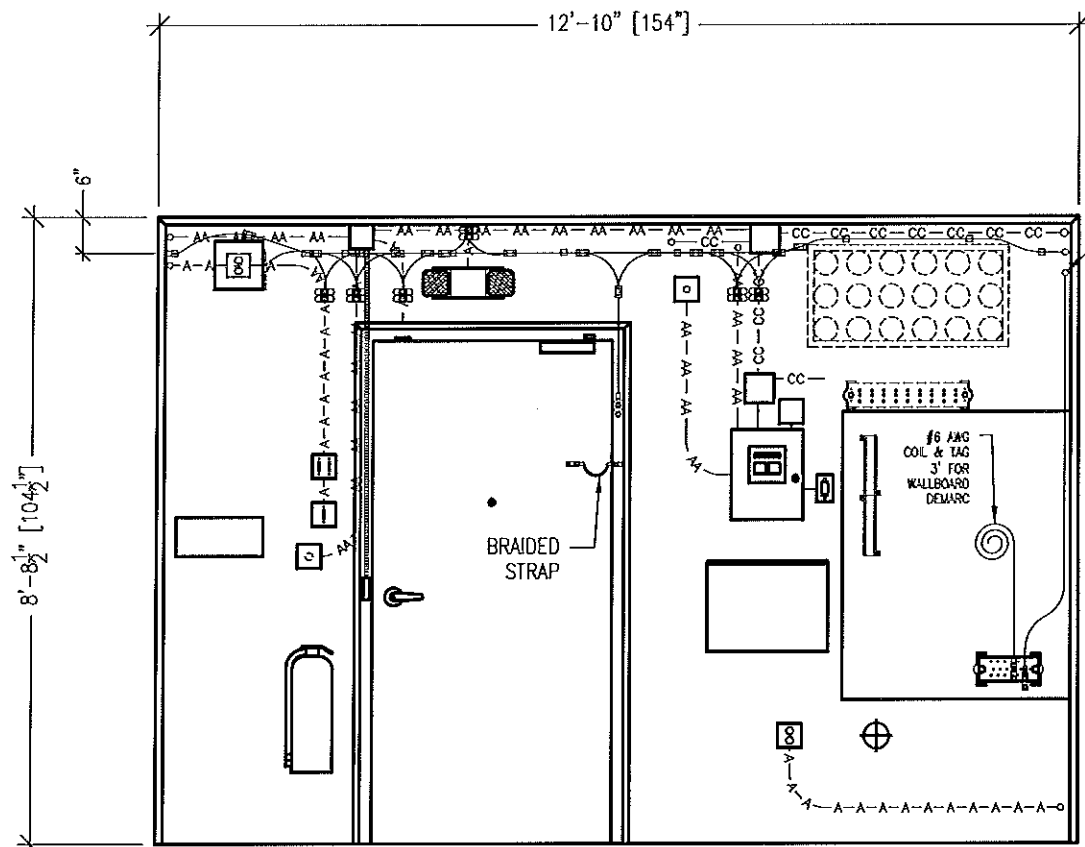
DETAIL: TRAPEZE LAYOUT "FOR REFERENCE ONLY"



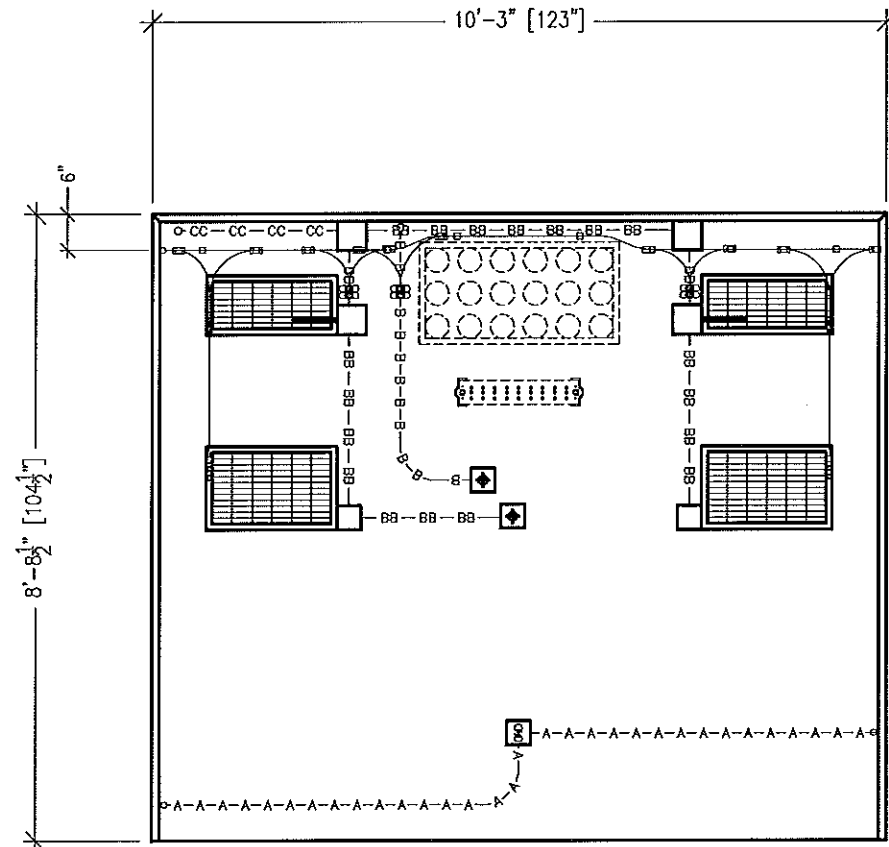
ELEVATION KEY

FC-64

THESE PLANS ARE THE CONFIDENTIAL PROPERTY AND TRADE SECRETS OF FIBREBOND CORPORATION. ANY USE OF THESE DRAWINGS OR THE INFORMATION CONTAINED HEREIN FOR ANY REASON OTHER THAN AS EXPRESSLY AUTHORIZED BY FIBREBOND CORPORATION IS STRICTLY PROHIBITED. THESE DRAWINGS HAVE BEEN DISTRIBUTED WITH THE UNDERSTANDING THAT ANYONE RECEIVING OR OTHERWISE OBTAINING POSSESSION OF THEM WILL BE EXPRESSLY NOTIFIED OF THEIR CONFIDENTIAL NATURE.						1300 DAVENPORT DRIVE MINDEN, LA. 71055 ph. (800) 824-2614 www.fibrebond.com			
GOGO LLC 11'-5" X 14'-0" EQUIPMENT SHELTER HALO GROUND CEILING VIEW						SCALE: 3/8"=1'-0"	SHEET NO.: 7-1.1		
REV.	BY	DATE	REVISION	APP.	DATE	BOM	DATE	DRN. BY: CSP DATE: 8/19/13 APP. BY: DATE: - CHK. BY: DATE: - APP. BY: - DATE: -	B Dwg No.: D-9406

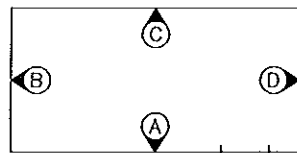


ELEVATION A



ELEVATION B

- NOTE:
- SEE HALO GROUND CEILING VIEW FOR NOTES
 - SEE HALO GROUND DETAIL SHEET FOR DETAILS



ELEVATION KEY

FC-64

REV.	BY	DATE	REVISION	APP.	DATE	BOM	DATE

THESE PLANS ARE THE CONFIDENTIAL PROPERTY AND TRADE SECRETS OF FIBREBOND CORPORATION. ANY USE OF THESE DRAWINGS OR THE INFORMATION CONTAINED HEREIN FOR ANY REASON OTHER THAN AS EXPRESSLY AUTHORIZED BY FIBREBOND CORPORATION IS STRICTLY PROHIBITED. THESE DRAWINGS HAVE BEEN DISTRIBUTED WITH THE UNDERSTANDING THAT ANYONE RECEIVING OR OTHERWISE OBTAINING POSSESSION OF THEM WILL BE EXPRESSLY NOTIFIED OF THEIR CONFIDENTIAL NATURE.

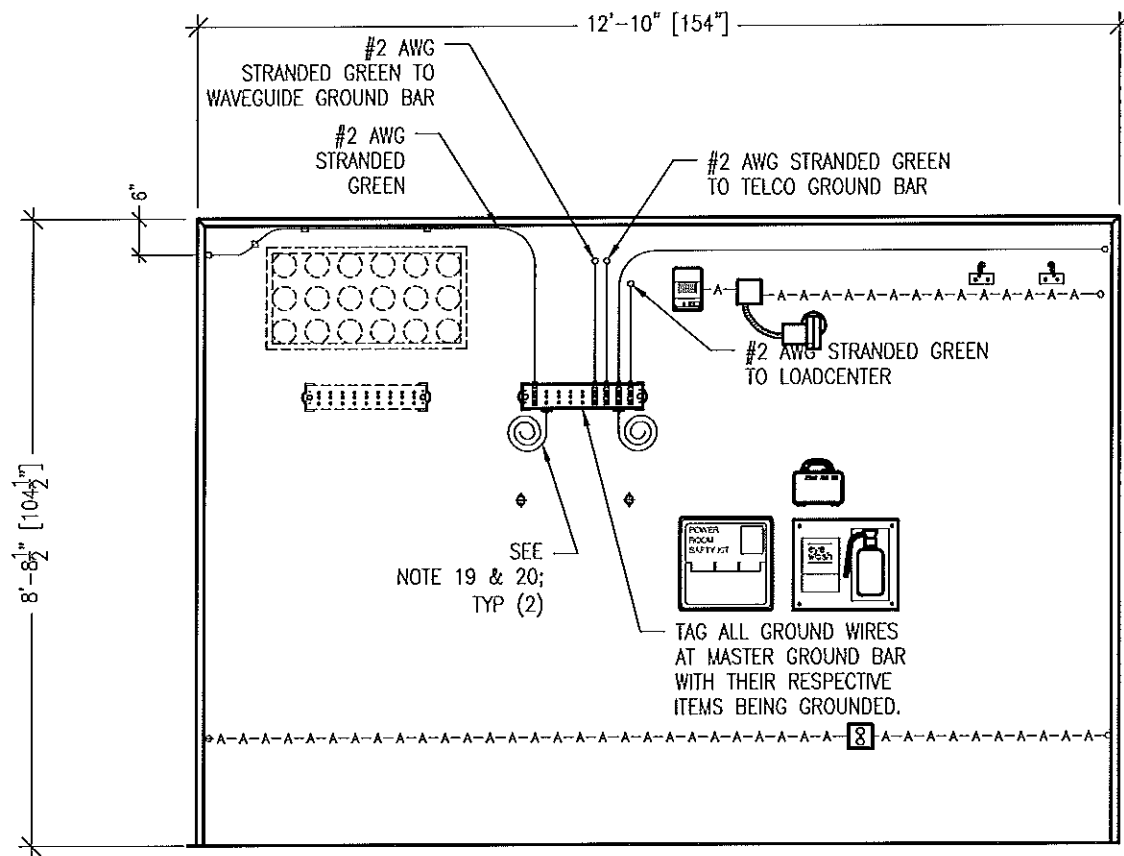
1300 DAVENPORT DRIVE MINDEN, LA. 71055
ph. (800) 824-2614 www.fibrebond.com

GOGO LLC
11'-5" X 14'-0" EQUIPMENT SHELTER
HALO GROUND ELEVATIONS A & B

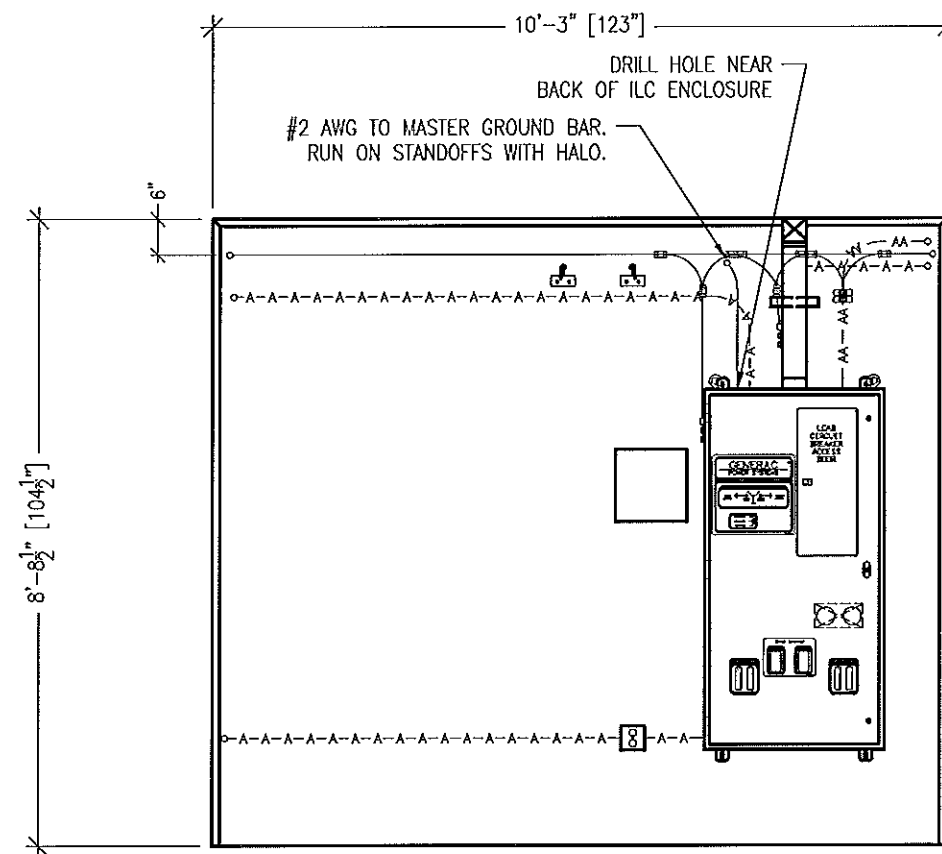


DRN. BY: CSP DATE: 8/19/13 APP. BY: DATE: --
CHK. BY: DATE: -- APP. BY: -- DATE: --

SCALE: 3/8"=1'-0" SHEET NO.: 7-2
DWG NO.: D-9406



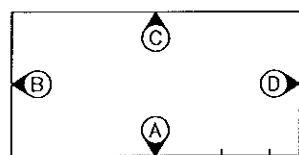
ELEVATION C



ELEVATION D

NOTE:

- SEE HALO GROUND CEILING VIEW FOR NOTES
- SEE HALO GROUND DETAIL SHEET FOR DETAILS



ELEVATION KEY

REV.	BY	DATE	REVISION	APP.	DATE	BOM	DATE

THESE PLANS ARE THE CONFIDENTIAL PROPERTY AND TRADE SECRETS OF FIBREBOND CORPORATION. ANY USE OF THESE DRAWINGS OR THE INFORMATION CONTAINED HEREIN FOR ANY REASON OTHER THAN AS EXPRESSLY AUTHORIZED BY FIBREBOND CORPORATION IS STRICTLY PROHIBITED. THESE DRAWINGS HAVE BEEN DISTRIBUTED WITH THE UNDERSTANDING THAT ANYONE RECEIVING OR OTHERWISE OBTAINING POSSESSION OF THEM WILL BE EXPRESSLY NOTIFIED OF THEIR CONFIDENTIAL NATURE.

1300 DAVENPORT DRIVE MINDEN, LA. 71055
 ph. (800) 824-2614 www.fibrebond.com

GOGO LLC

11'-5" X 14'-0" EQUIPMENT SHELTER

HALO GROUND ELEVATIONS C & D

DES. BY: CSP DATE: 8/19/13 APP. BY: DATE: -

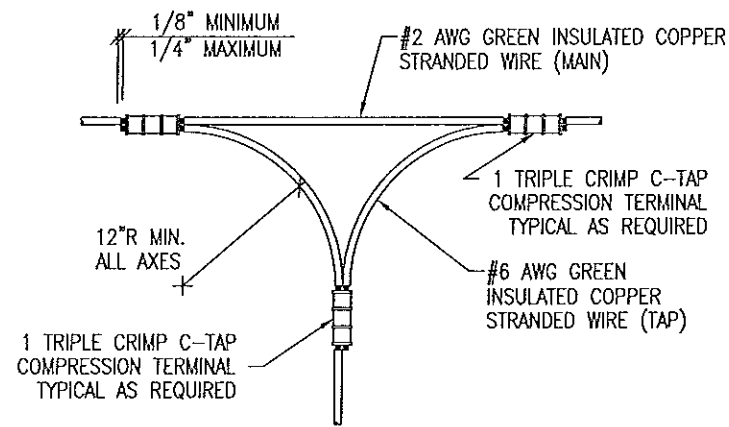
CHK. BY: DATE: - APP. BY: DATE: -

FC-64



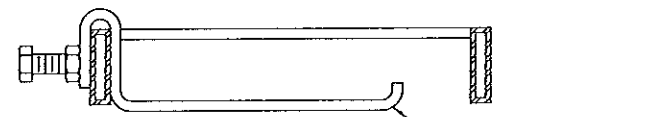
SCALE: 3/8" = 1'-0" SHEET NO.: 7-3

B/DWG NO.: D-9406



SEE GROUND LUG INSTALLATION DETAIL

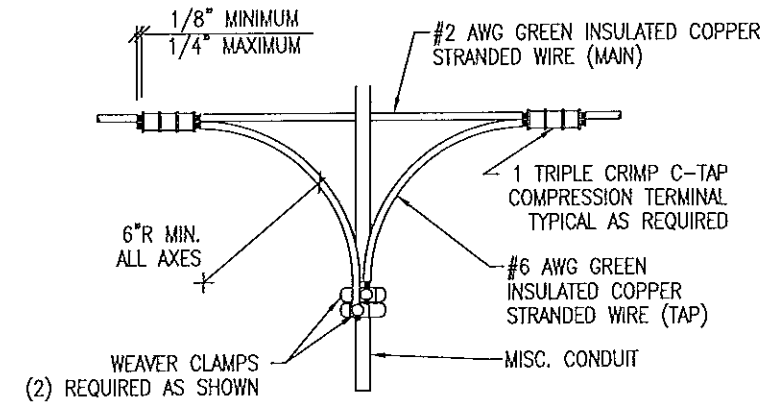
HALO GROUND RING TO MISCELLANEOUS EQUIPMENT
SCALE: N.T.S.



POWER CABLE BRACKET
INSTALLATION DETAIL

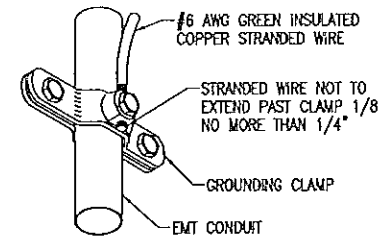
MOUNT POWER CABLE BRACKET UNDER THE CABLE RACK WITH HARDWARE PROVIDED

SCALE: N.T.S.



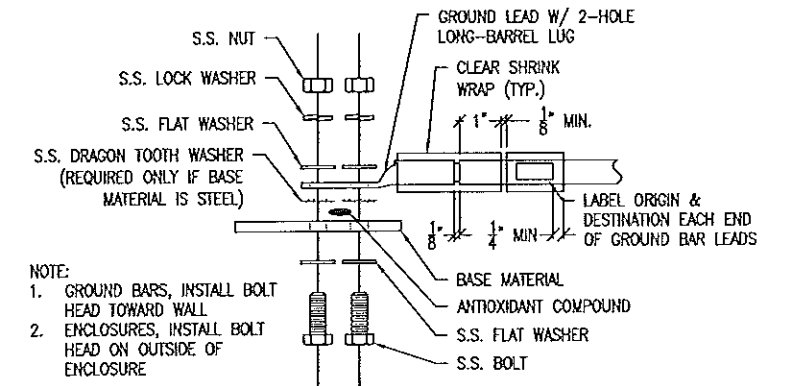
SEE GROUND LUG INSTALLATION DETAIL

HALO GROUND RING TO CONDUIT
SCALE: N.T.S.



HALO GROUND CONDUIT CLAMP DETAIL

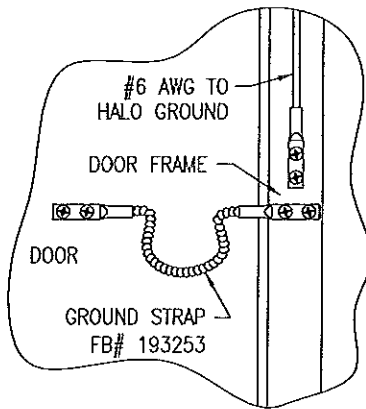
SCALE: N.T.S.



NOTE:
1. GROUND BARS, INSTALL BOLT HEAD TOWARD WALL
2. ENCLOSURES, INSTALL BOLT HEAD ON OUTSIDE OF ENCLOSURE

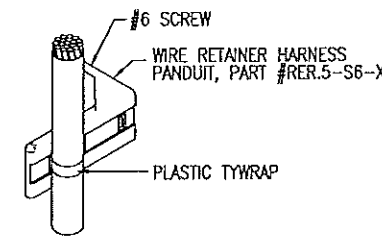
GROUND LUG INSTALLATION DETAIL

SCALE: N.T.S.



HALO GROUND DOOR CONNECTION DETAIL

SCALE: N.T.S.



HALO WIRE SUPPORT DETAIL

(TYP. FOR HALO RING & DROPS)

FB #	WIRE SIZE	HOLES	HOLE SPACING
830-12673	#2	(2) 5/16"ø	5/8"
830-21380	#4	(2) 5/16"ø	5/8"
830-21023	#6	(2) 5/16"ø	5/8"
830-21024	#2	(2) 7/16"ø	1"
830-11703	#4	(2) 7/16"ø	1"
830-22172	#6	(2) 7/16"ø	1"
830-20626	2/0	(2) 7/16"ø	1"

NOTE:
SEE HALO GROUND CEILING VIEW SHEET FOR NOTES.

REV.	BY	DATE	REVISION	APP.	DATE	BOV	DATE

THESE PLANS ARE THE CONFIDENTIAL PROPERTY AND TRADE SECRETS OF FIBREBOND CORPORATION. ANY USE OF THESE DRAWINGS OR THE INFORMATION CONTAINED HEREIN FOR ANY REASON OTHER THAN AS EXPRESSLY AUTHORIZED BY FIBREBOND CORPORATION IS STRICTLY PROHIBITED. THESE DRAWINGS HAVE BEEN DISTRIBUTED WITH THE UNDERSTANDING THAT ANYONE RECEIVING OR OTHERWISE OBTAINING POSSESSION OF THEM WILL BE EXPRESSLY NOTIFIED OF THEIR CONFIDENTIAL NATURE.

1300 DAVENPORT DRIVE MINDEN, LA. 71055
ph. (800) 824-2614 www.fibrebond.com

GOGO LLC

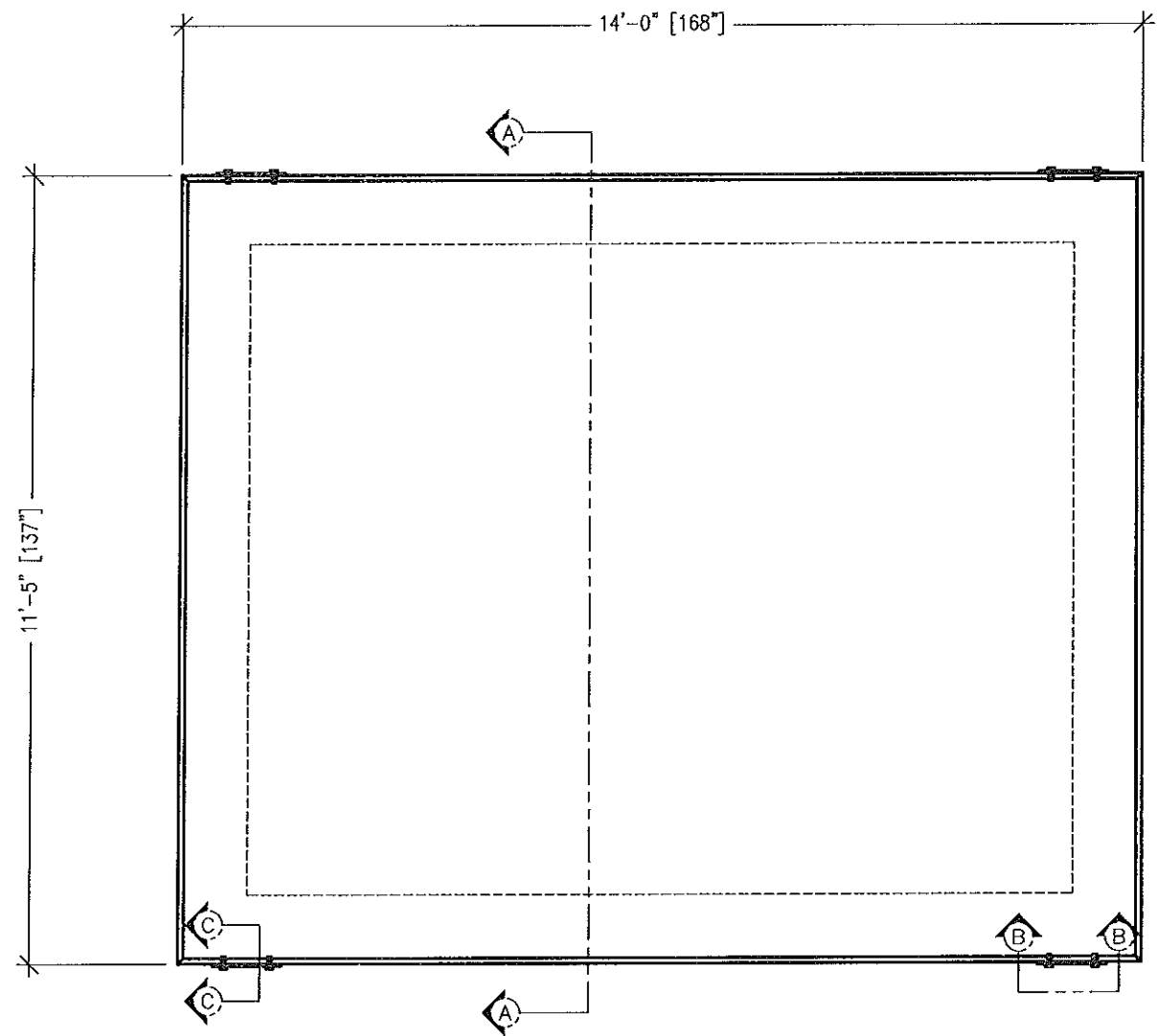
11'-5" X 14'-0" EQUIPMENT SHELTER

HALO GROUND DETAILS

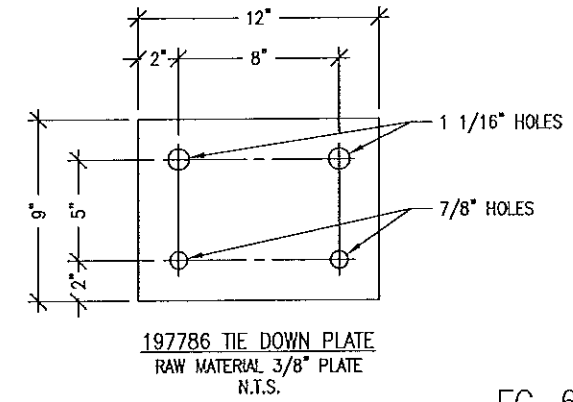
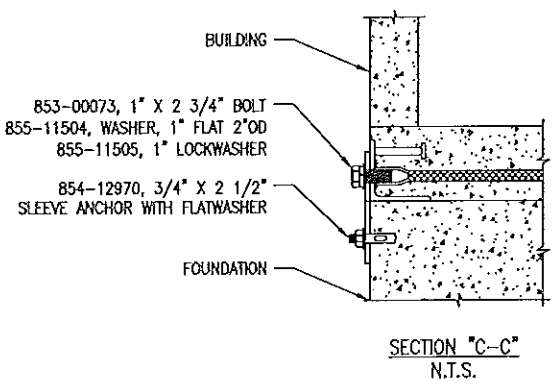
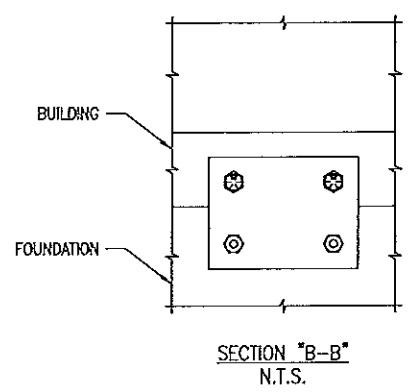
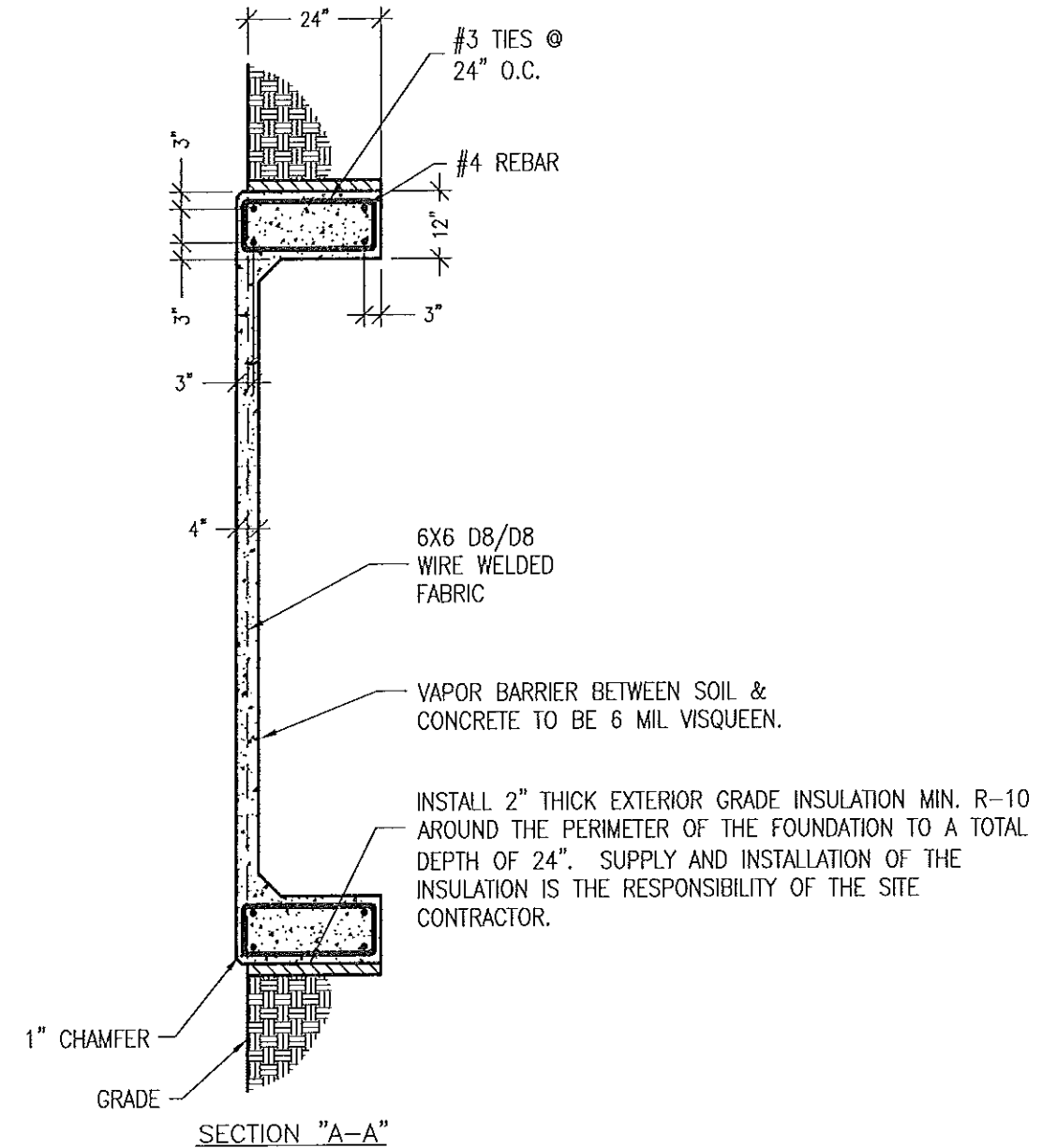
DRN. BY: CSP DATE: 8/19/13 APP. BY: DATE:
CHK. BY: DATE: APP. BY: - DATE: -

FC-64

SCALE: NONE SHEET NO.: 7-4
DWG NO.: D-9406



SLAB FOUNDATION
SCALE: 3/8"=1'-0"



- NOTES:**
- SLAB TO BE LEVEL ±1/4".
 - FOOTING TO EXTEND A MINIMUM DISTANCE BELOW UNDISTURBED SOIL AND FROST LINE.
 - FINAL SITE DESIGN IS THE RESPONSIBILITY OF THE SITE CONTRACTOR.
- ASSUMPTIONS:**
- ALLOWABLE SOIL BEARING PRESSURE OF 2000 PSF.
 - MAXIMUM SOIL PLASTICITY INDEX OF 27.
 - CONCRETE STRENGTH SHALL BE A MINIMUM OF 3000 PSI.

REV.	BY	DATE	REVISION	APP.	DATE	BOM	DATE

THESE PLANS ARE THE CONFIDENTIAL PROPERTY AND TRADE SECRETS OF FIBREBOND CORPORATION. ANY USE OF THESE DRAWINGS OR THE INFORMATION CONTAINED HEREIN FOR ANY REASON OTHER THAN AS EXPRESSLY AUTHORIZED BY FIBREBOND CORPORATION IS STRICTLY PROHIBITED. THESE DRAWINGS HAVE BEEN DISTRIBUTED WITH THE UNDERSTANDING THAT ANYONE RECEIVING OR OTHERWISE OBTAINING POSSESSION OF THEM WILL BE EXPRESSLY NOTIFIED OF THEIR CONFIDENTIAL NATURE.

1300 DAVENPORT DRIVE MINDEN, LA. 71055
ph. (800) 824-2614 www.fibrebond.com

GOGO LLC

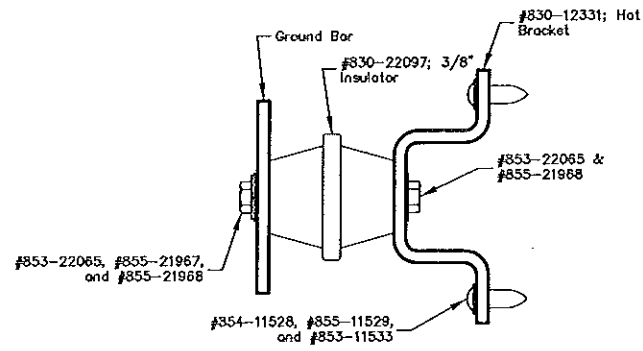
11'-5" X 14'-0" EQUIPMENT SHELTER
FOUNDATION PLAN

DRW. BY: CSP	DATE: 8/19/13	APP. BY:	DATE:
CHK. BY:	DATE:	APP. BY: -	DATE: -

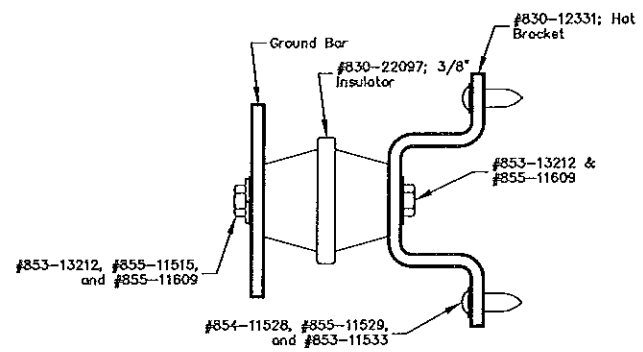
FC-64

FIBREBOND

SCALE: NOTED SHEET NO.: 8-CO
BOM NO.: D-9406



Exterior



Interior

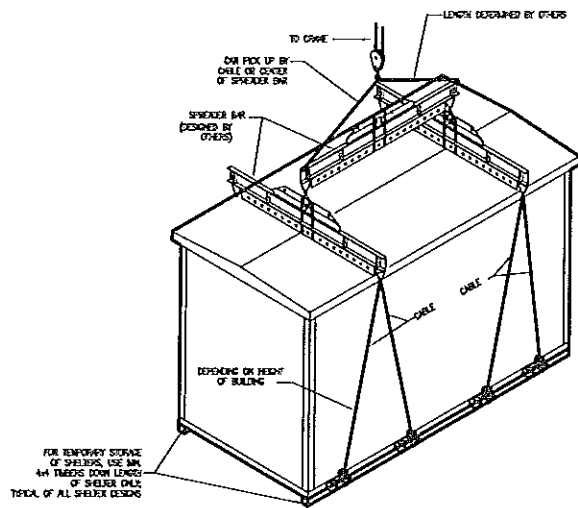
General Notes:

1. For Waveguides, Door Canopy, and Exterior Vent Hood installations, use 1/4" x 1 5/8" Hilti HPS Impact anchors, #854-22496.
2. HVAC mounting, use 5/16" x 1 1/2" sleeve anchors, #854-11135.
3. All interior boxes, panels, straps, etc. shall use #853-10848 screws. Large boxes and lights need to have washer #855-11513 with screw.
4. For exterior boxes, use #854-11528, #855-11529, and #853-11533 for anchors.
5. On furred walls using hat channel, sheetrock and FRP shall be fastened at perimeter at 12" o.c. using screws. On furred walls using THERMASHEATH insulation attach 3/8" Nupoly to wall over THERMASHEATH insulation with 3/16"x3 1/4" PNF tapcons #854-12917. Use Chemrex #850-11235 glue on 3/8" Nupoly.
6. On Concrete walls, mount sheetrock 16" o.c. using 3/16"x1 1/2" HPS anchors, #854-15111. Mount FRP over sheetrock using 1 1/2" coil nails, #854-11841 12" o.c. for Light Weight Bldgs. For C2 Bldgs., use 1/4"x2 1/16" HPS anchors, #854-11501.

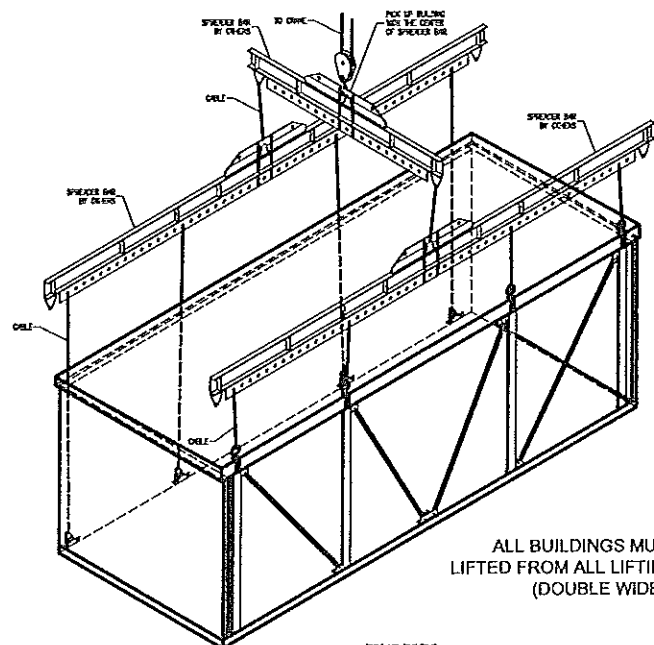
GROUND BAR MOUNTING PROCEDURES

FC-64

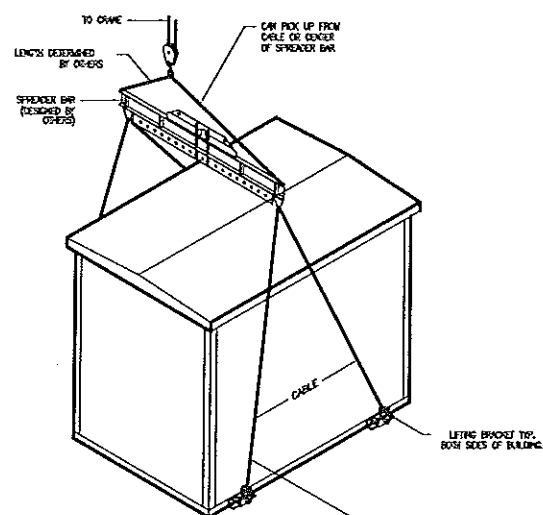
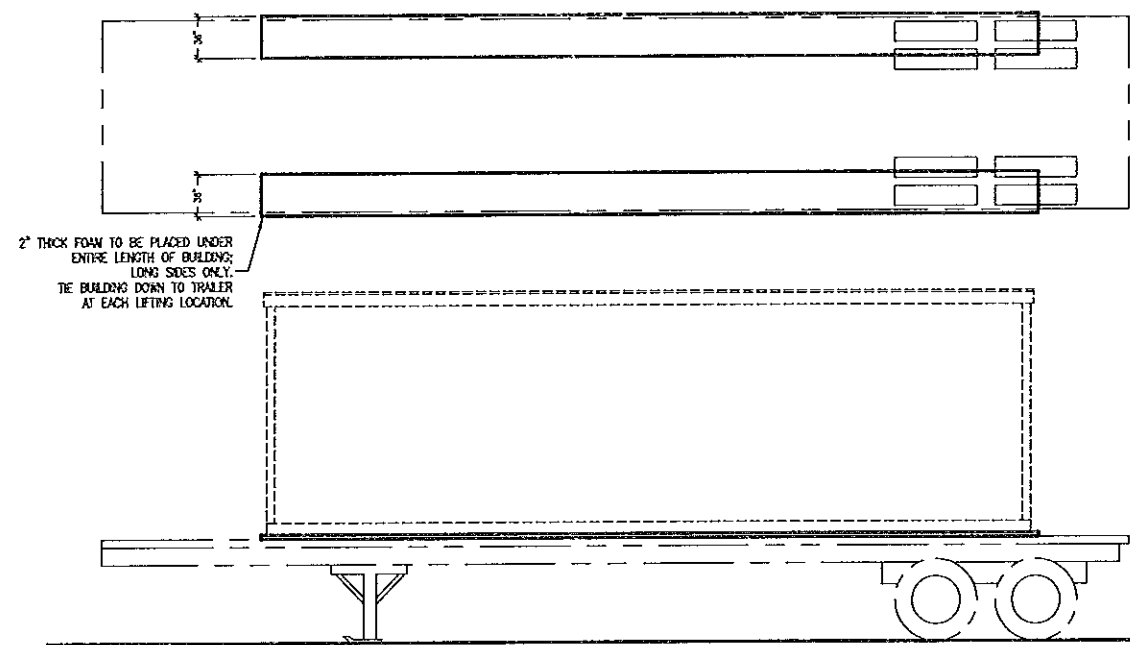
						THESE PLANS ARE THE CONFIDENTIAL PROPERTY AND TRADE SECRETS OF FIBREBOND CORPORATION. ANY USE OF THESE DRAWINGS OR THE INFORMATION CONTAINED HEREIN FOR ANY REASON OTHER THAN AS EXPRESSLY AUTHORIZED BY FIBREBOND CORPORATION IS STRICTLY PROHIBITED. THESE DRAWINGS HAVE BEEN DISTRIBUTED WITH THE UNDERSTANDING THAT ANYONE RECEIVING OR OTHERWISE OBTAINING POSSESSION OF THEM WILL BE EXPRESSLY NOTIFIED OF THEIR CONFIDENTIAL NATURE.		1300 DAVENPORT DRIVE MINDEN, LA. 71055 ph. (800) 824-2614 www.fibrebond.com				
						GOGO LLC		11'-5" X 14'-0" EQUIPMENT SHELTER			SCALE: NONE	SHEET NO.: 9-1
						MISC. INTERIOR DETAILS					B	DWG NO.: D-9406
REV.	BY	DATE	REVISION	APP.	DATE	BOM	DATE	DRW. BY: CSP	DATE: 8/19/13	APP. BY:	DATE:	
								CHEK BY:	DATE:	APP. BY: --	DATE: --	



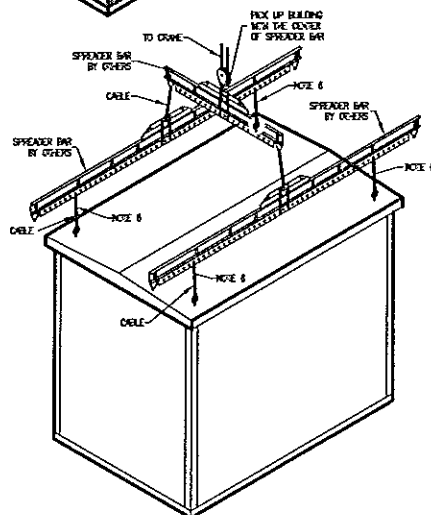
ALL BUILDINGS MUST BE LIFTED FROM ALL LIFTING POINTS



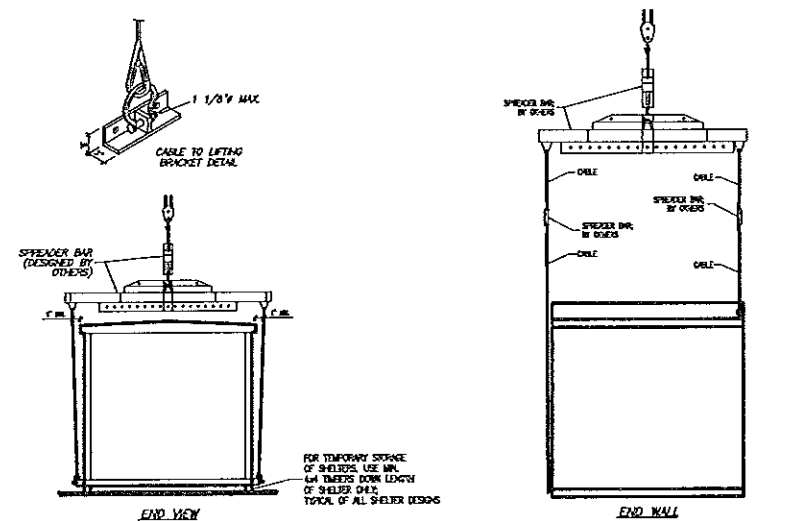
ALL BUILDINGS MUST BE LIFTED FROM ALL LIFTING POINTS (DOUBLE WIDE)



ALL BUILDINGS MUST BE LIFTED FROM ALL LIFTING POINTS



ALL BUILDINGS MUST BE LIFTED FROM ALL LIFTING POINTS (ROOF LIFT)



ALL BUILDINGS MUST BE LIFTED FROM ALL LIFTING POINTS

SINGLE BUILDING SET UP PROCEDURE:

1. INSPECT BUILDING UPON DELIVERY FOR DAMAGE DURING TRANSPORTATION.
2. REMOVE LIFTING BRACKETS FROM SHELTER.
3. CAULK AND GROUT BUILDING.
4. ATTACH TIE DOWN BRACKETS TO SHELTER AND FOUNDATION USING ANCHOR BOLTS.
5. INSTALL AND CAULK ALL ACCESSORIES (EXTERIOR LIGHT, CANOPY, ICE SHIELD, VENT HOODS, GROUND BARS, ETC.)
6. INSPECT ROOF AND ROOF EDGE FOR DAMAGE CAUSED BY OFFLOAD AND REPAIR IF NEEDED.
7. CLEAN INTERIOR AND COMPLETE ANY TOUCH UP PAINTING AS NEEDED.
8. CHECK DOOR ALARM FOR PROPER OPERATION.
9. CHECK LIGHTING AND AIR CONDITIONING FOR PROPER OPERATION.
10. INSPECT COMPLETE BUILDING FOR COSMETICS.

MULTI-WIDE BUILDING SET UP PROCEDURE:

1. INSPECT BUILDING UPON DELIVERY FOR DAMAGE DURING TRANSPORTATION.
2. REMOVE LIFTING BRACKETS FROM SHELTER.
3. ATTACH TIE DOWN BRACKETS TO SHELTER AND FOUNDATION USING ANCHOR BOLTS.
4. INSTALL AND CAULK ALL ACCESSORIES (EXTERIOR LIGHT, CANOPY, ICE SHIELD, VENT HOODS, GROUND BARS, ETC.)
5. INSPECT ROOF AND ROOF EDGE FOR DAMAGE CAUSED BY OFFLOAD AND REPAIR IF NEEDED.
6. INSTALL BACKER ROD AND CAULK EXTERIOR WALLS AND ROOF.
7. INSTALL FLASHING ON ALL INTERIOR MOD. LINES.
8. MAKE ALL CONDUIT AND CABLE TRAY CROSSOVERS.
9. CLEAN INTERIOR AND COMPLETE ANY TOUCH UP PAINTING AS NEEDED.

10. CHECK DOOR ALARM FOR PROPER OPERATION.
11. CHECK LIGHTING AND AIR CONDITIONING FOR PROPER OPERATION.
12. INSPECT COMPLETE BUILDING FOR COSMETICS.

OFFLOAD NOTES:

1. BUILDING SHALL BE OFFLOADED LEVEL.
2. ALL CABLES, SHACKLING, SPREADER BARS, ETC. SHALL BE DESIGNED AND SUPPLIED BY OTHERS.
3. ALL LIFTING POINTS SHALL BE USED.
4. 1 1/8" MAXIMUM DIAMETER FOR SHACKLES.
5. REMOVE BRACKET AFTER PLACEMENT OF SHELTER AND INSTALL ANCHOR TIE-DOWN PLATES (SHIPPED LOOSE INSIDE SHELTER) AT EACH LOCATION.
6. OFFLOAD BUILDING WITH CABLES IN VERTICAL POSITION. ANGLED POSITION CABLES ARE NOT ACCEPTABLE.

FC-64

REV.	BY	DATE	REVISION	APP.	DATE	BOW	DATE

THESE PLANS ARE THE CONFIDENTIAL PROPERTY AND TRADE SECRETS OF FIBREBOND CORPORATION. ANY USE OF THESE DRAWINGS OR THE INFORMATION CONTAINED HEREIN FOR ANY REASON OTHER THAN AS EXPRESSLY AUTHORIZED BY FIBREBOND CORPORATION IS STRICTLY PROHIBITED. THESE DRAWINGS HAVE BEEN DISTRIBUTED WITH THE UNDERSTANDING THAT ANYONE RECEIVING OR OTHERWISE OBTAINING POSSESSION OF THEM WILL BE EXPRESSLY NOTIFIED OF THEIR CONFIDENTIAL NATURE.

1300 DAVENPORT DRIVE MINDEN, LA. 71055
ph. (800) 824-2614 www.fibrebond.com

GOGO LLC

11'-5" X 14'-0" EQUIPMENT SHELTER
LIFTING, STORAGE, AND
TRANSPORTATION DIAGRAM

DRN. BY: CSP DATE: 8/19/13 APP. BY: DATE:
CHK. BY: DATE: APP. BY: DATE: -

SCALE: NONE SHEET NO.: 9-2

B Dwg No.: D-9406